

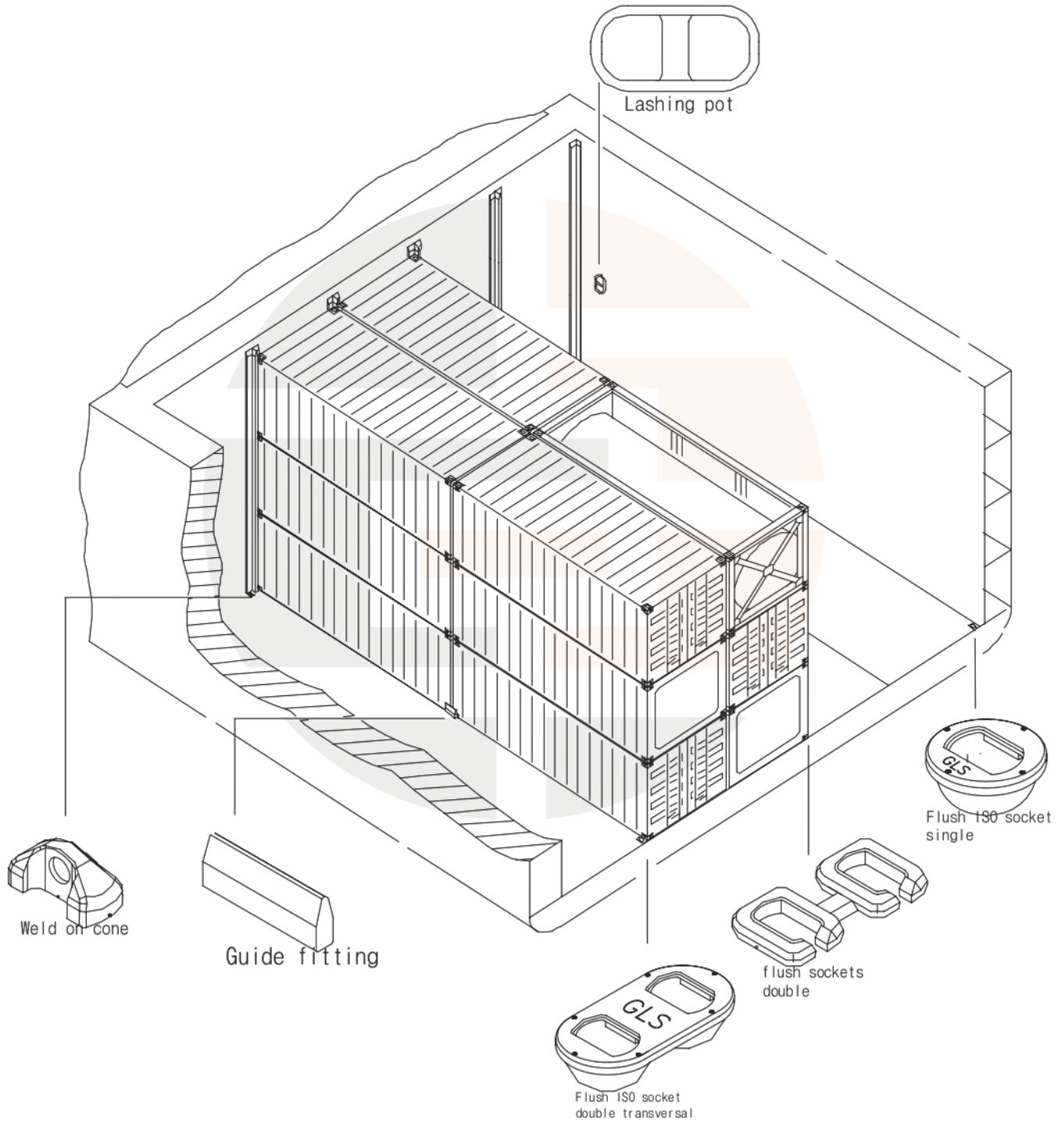


# 卓立琦船务有限公司 CLK Malaysia Sdn Bhd

202201005491 (1451188-V)

Unit No. B0525, Blok B, Jalan Eko Botani 3, Taman Eko Botani, 79100 Iskandar Puteri, Johor Malaysia.

Tel : 07-522 6715 E-mail : sales@clkmalaysia.com Fax : 07 5853715





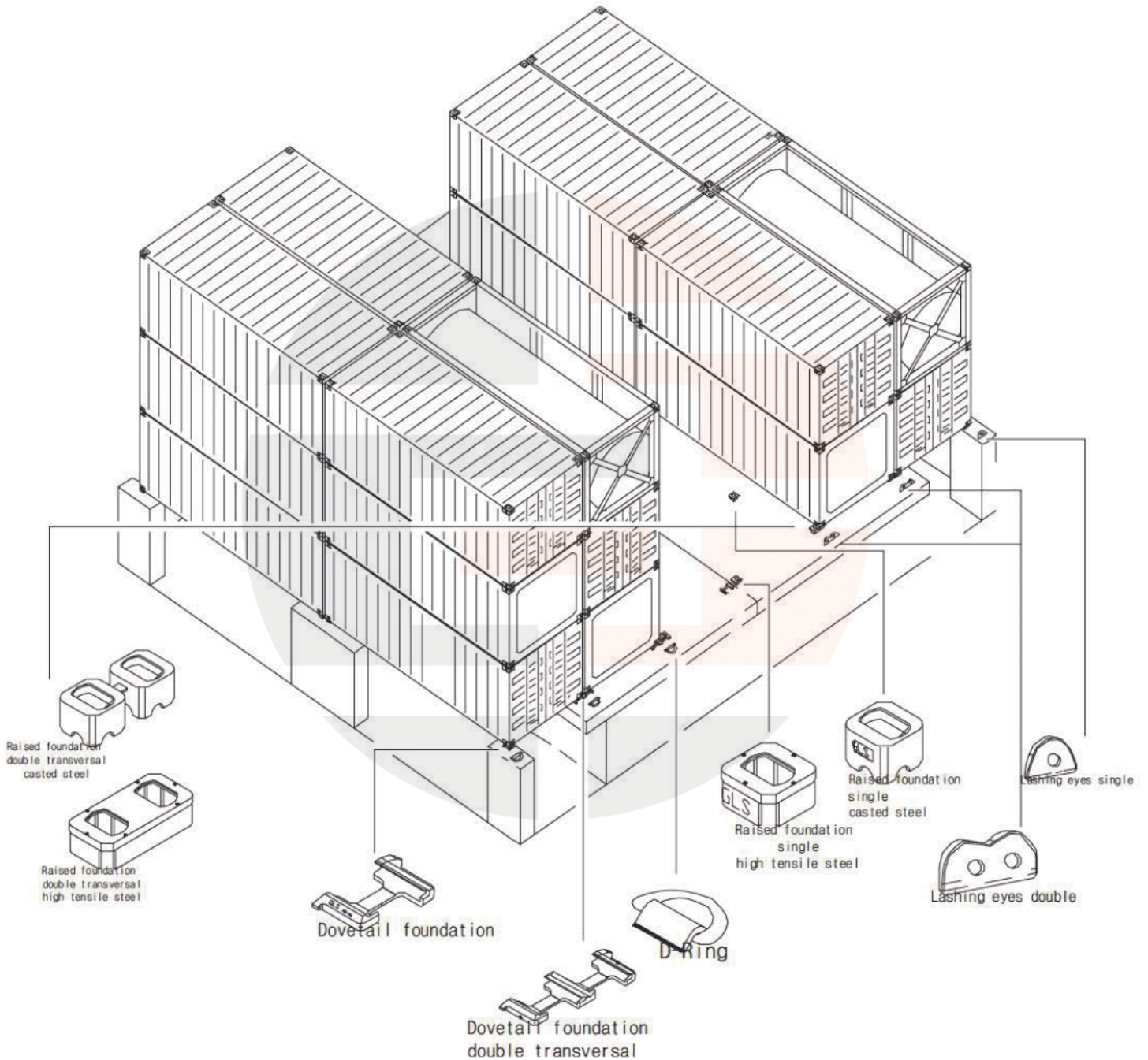
# 卓立琦船务有限公司 CLK Malaysia Sdn Bhd

202201005491 (1451188-V)

Unit No. B0525, Blok B, Jalan Eko Botani 3, Taman Eko Botani, 79100 Iskandar Puteri, Johor Malaysia.

Tel : 07-522 6715 E-mail : sales@clkmalaysia.com Fax : 07 5853715

## FIXED PARTS DECK AND DECK STANCHIONS



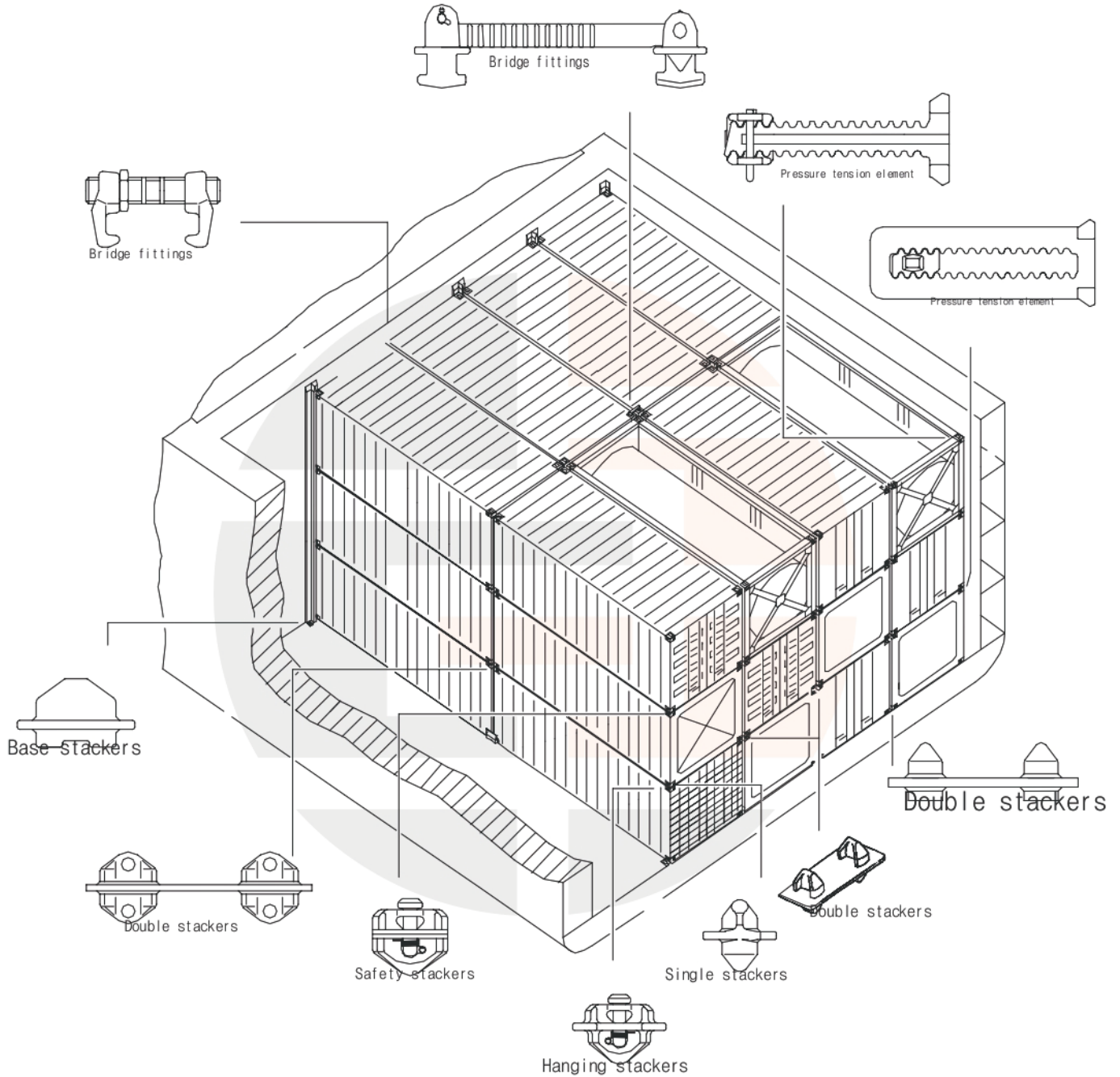


# 卓立琦船务有限公司 CLK Malaysia Sdn Bhd

202201005491 (1451188-V)

Unit No. B0525, Blok B, Jalan Eko Botani 3, Taman Eko Botani, 79100 Iskandar Puteri, Johor Malaysia.

Tel : 07-522 6715 E-mail : sales@clkmalaysia.com Fax : 07 5853715





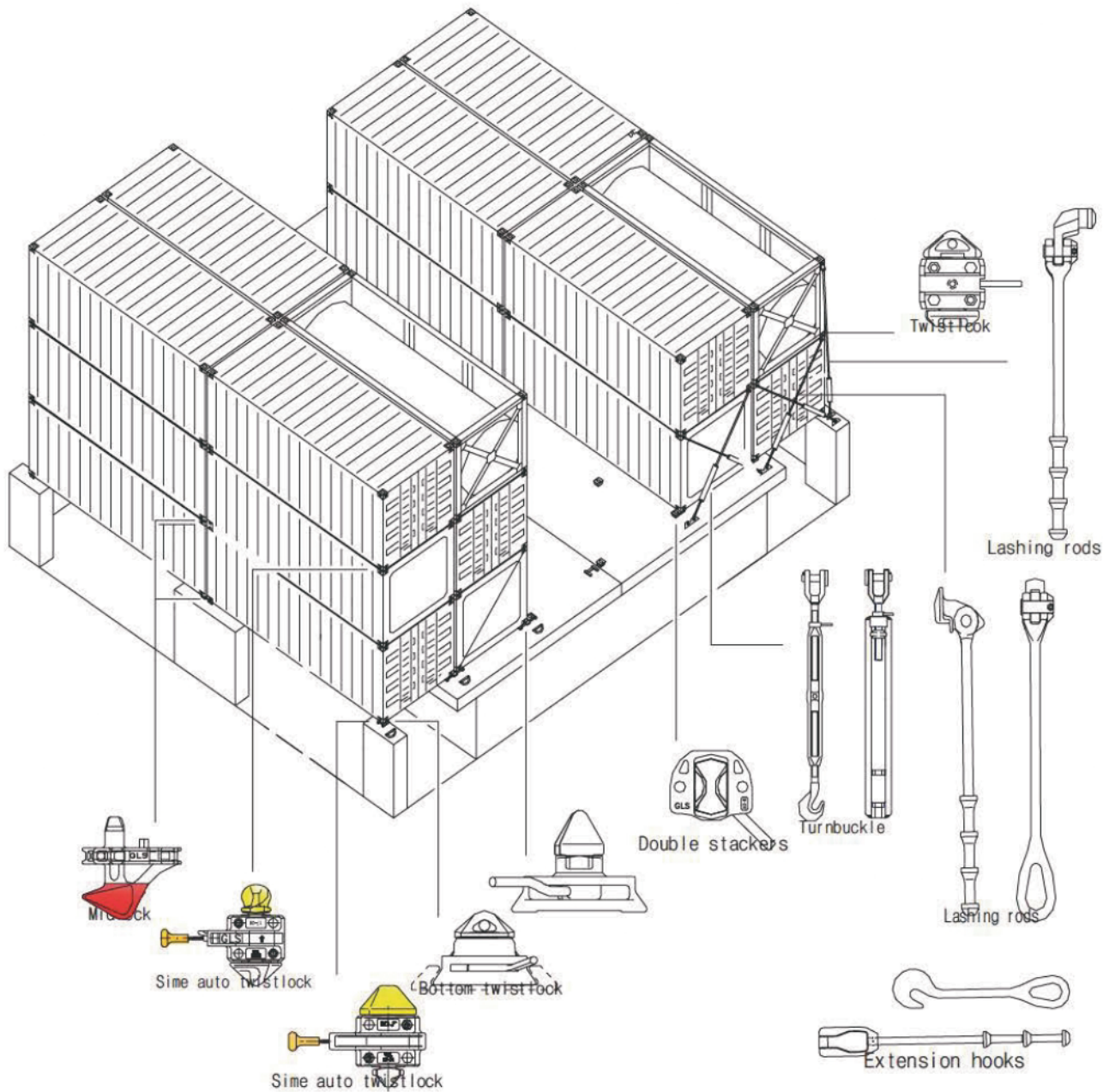
# 卓立琦船务有限公司 CLK Malaysia Sdn Bhd

202201005491 (1451188-V)

Unit No. B0525, Blok B, Jalan Eko Botani 3, Taman Eko Botani, 79100 Iskandar Puteri, Johor Malaysia.

Tel : 07-522 6715 E-mail : sales@clkmalaysia.com Fax : 07 5853715

## LOOSE PARTS HOLD





# 卓立琦船务有限公司 CLK Malaysia Sdn Bhd

202201005491 (1451188-V)

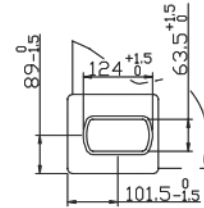
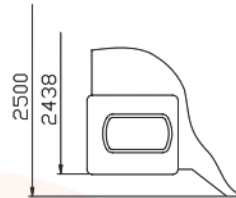
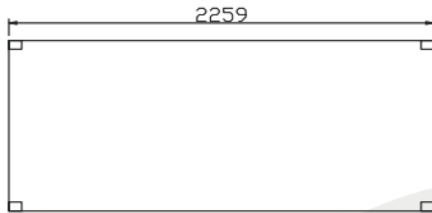
Unit No. B0525, Blok B, Jalan Eko Botani 3, Taman Eko Botani, 79100 Iskandar Puteri, Johor Malaysia.

Tel : 07-522 6715 E-mail : sales@clkmalaysia.com Fax : 07 5853715

## Container Dimensions

Bell Lines

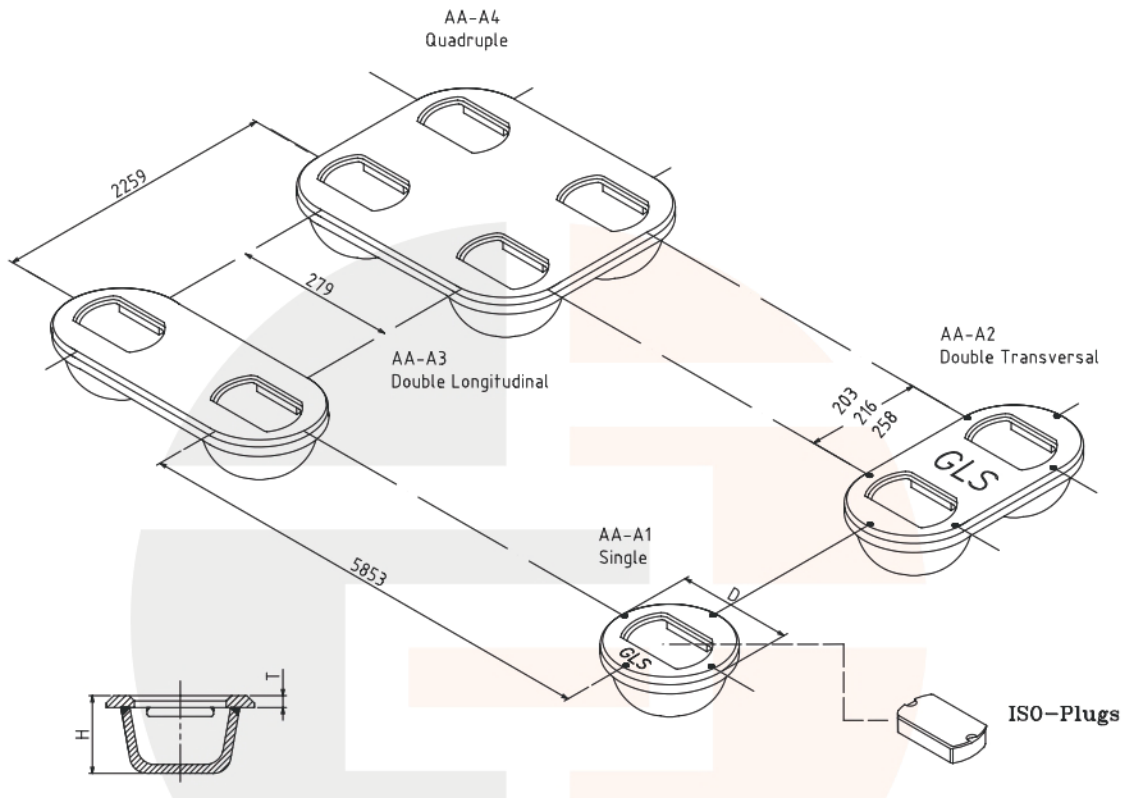
ISO-Container



Length	Diagram	Bell Lines	ISO-Container
53' (16150mm)		8'6" (2591mm)	9'6 1/2"
49' (14935mm)		(2600mm)	9'6" (2896mm)
24 1/2' (2*7442mm)		(2600mm)	9'6" (2896mm)
48' (14630mm)		8'6" (2591mm)	9'6" 9'6 1/2"
45' (13720mm)		8' (2438mm)	9'6" 9'6 1/2"
43' (13103mm)		8' (2438mm)	
40' ISO (12192mm)		8' (2438mm)	8' 9" 8'6" 9'6"
40'EURO /Bell Lines (12192mm)		(2500mm)/(2500MM)	8'6" 9'6"
35' /30' ISO		8' (2438mm)/(2438mm)	8'6"
24'(Matson) (7430mm)		8' od.8'6" (2438mm) od (2591)	8'6" 9'6"
2*20' (2*6058mm)		8' (2438mm)	8' 9'6" 8'6"



## FLUSH ISO FOUNDATIONS



TYPE	H	T	D
AA-A1	110	28	205
AA-A2	105	18	180
AA-A3	98	16	180
AA-A4			

### Specification

- ✍ Weldable shop primer
- ✍ Standard distances 203/216/258 mm
- ✍ Min. breaking loads tension 500 KN / shear 420 KN
- ✍ Min breaking loads compression 2000KN
- ✍ Standard height 110mm
- ✍ All item are approved by major classification societies
- ✍ Centre marking for easy installation



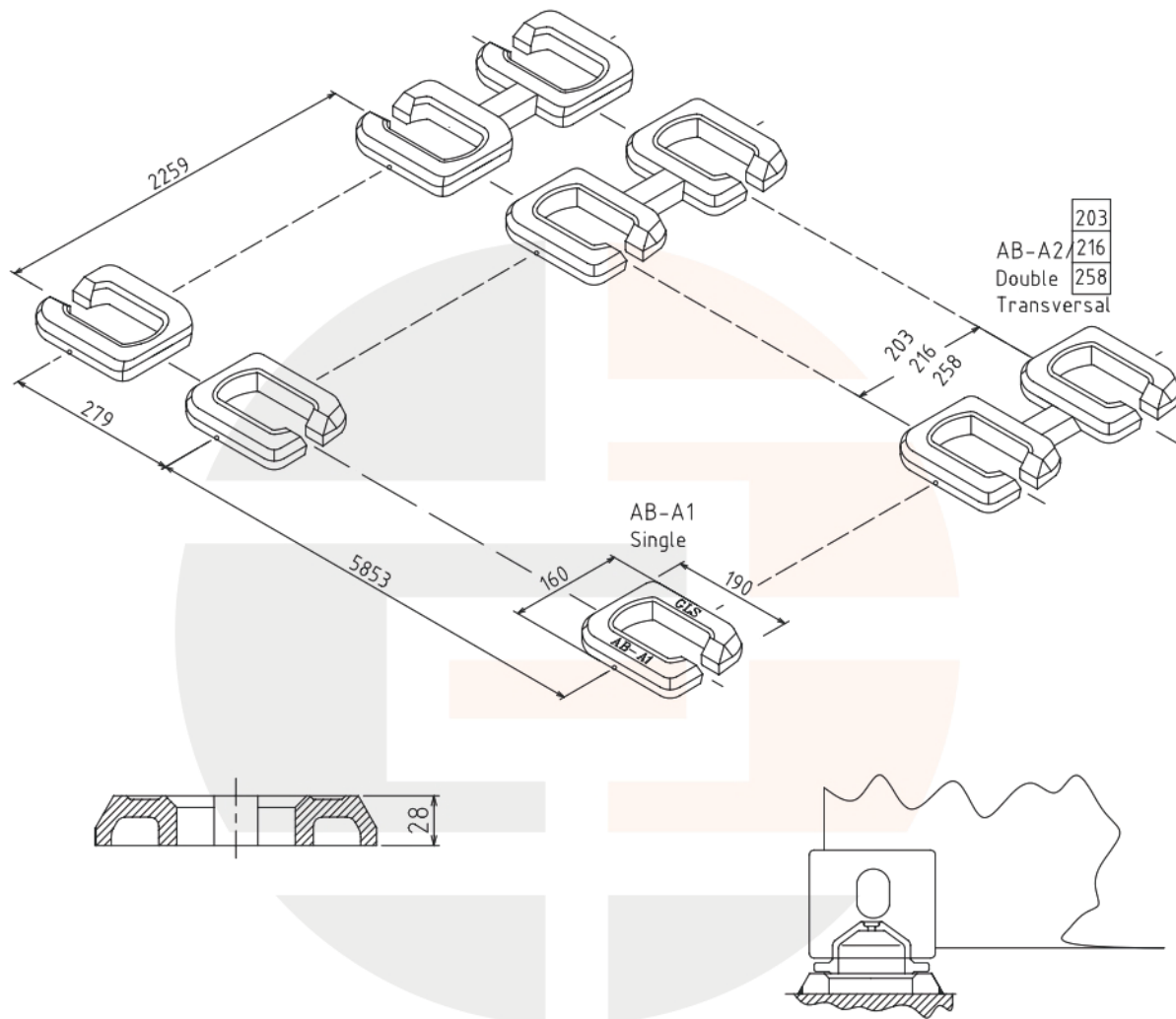
# 卓立琦船务有限公司 CLK Malaysia Sdn Bhd

202201005491 (1451188-V)

Unit No. B0525, Blok B, Jalan Eko Botani 3, Taman Eko Botani, 79100 Iskandar Puteri, Johor Malaysia.

Tel : 07-522 6715 E-mail : sales@clkmalaysia.com Fax : 07 5853715

## RAISED STOWAGE PLATES



### Specification

- ✍ Weldable shop primer
- ✍ Standard distances 203/216/258 mm
- ✍ Min. breaking loads shear 420 KN
- ✍ Min breaking loads compression 2000KN
- ✍ All item are approved by major classification societies

### Application



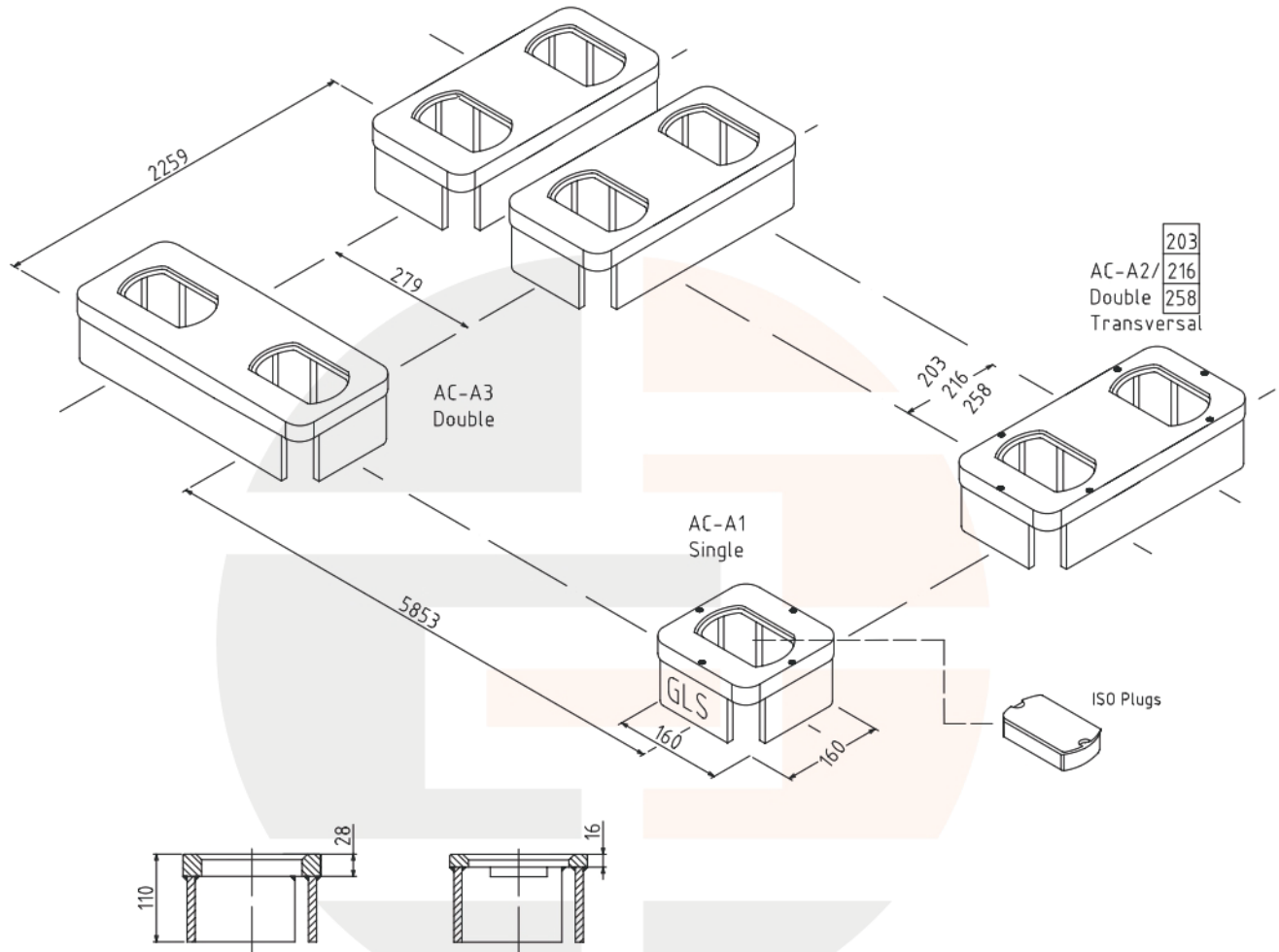
# 卓立琦船务有限公司 CLK Malaysia Sdn Bhd

202201005491 (1451188-V)

Unit No. B0525, Blok B, Jalan Eko Botani 3, Taman Eko Botani, 79100 Iskandar Puteri, Johor Malaysia.

Tel : 07-522 6715 E-mail : sales@clkmalaysia.com Fax : 07 5853715

## RAISED ISO FOUNDATIONS



### Specification

- ✍ *Weldable shop primer*
- ✍ *Standard distances 203/216/258 mm*
- ✍ *Min. breaking loads tension 500 KN / shear 420 KN*
- ✍ *Min breaking loads compression 2000KN*
- ✍ *Other dimensions on request*
- ✍ *All item are approved by major classification societies*
- ✍ *Centre marking for easy installation*



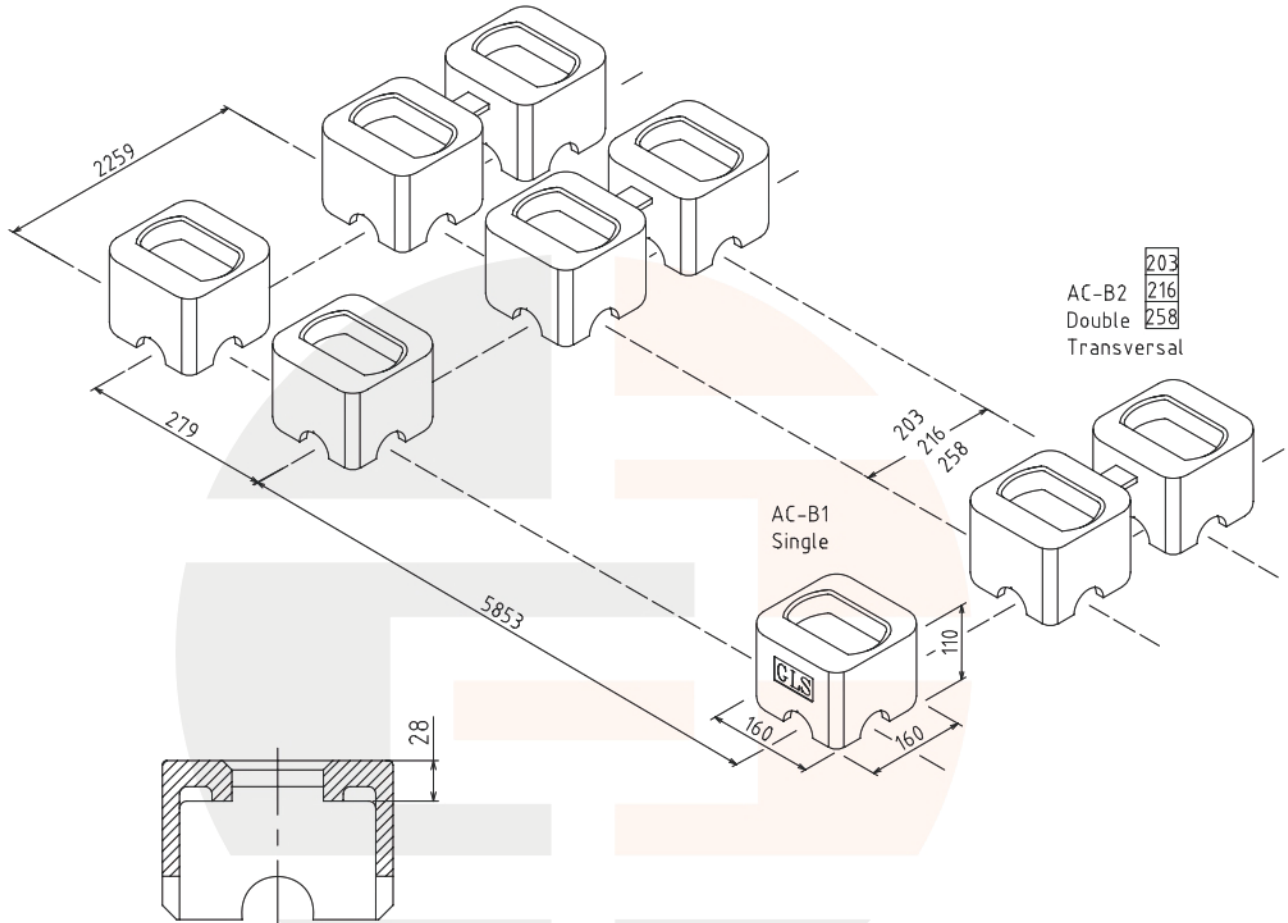
# 卓立琦船务有限公司 CLK Malaysia Sdn Bhd

202201005491 (1451188-V)

Unit No. B0525, Blok B, Jalan Eko Botani 3, Taman Eko Botani, 79100 Iskandar Puteri, Johor Malaysia.

Tel : 07-522 6715 E-mail : sales@clkmalaysia.com Fax : 07 5853715

## RAISED ISO FOUNDATION



### Specification

- ✍ *Weldable shop primer*
- ✍ *Standard distances 203/216/258 mm*
- ✍ *Min. breaking loads tension 500 KN / shear 420 KN*
- ✍ *Min breaking loads compression 2000KN*
- ✍ *Made of casting steel*
- ✍ *All item are approved by major classification societies*
- ✍ *Centre marking for easy installation*



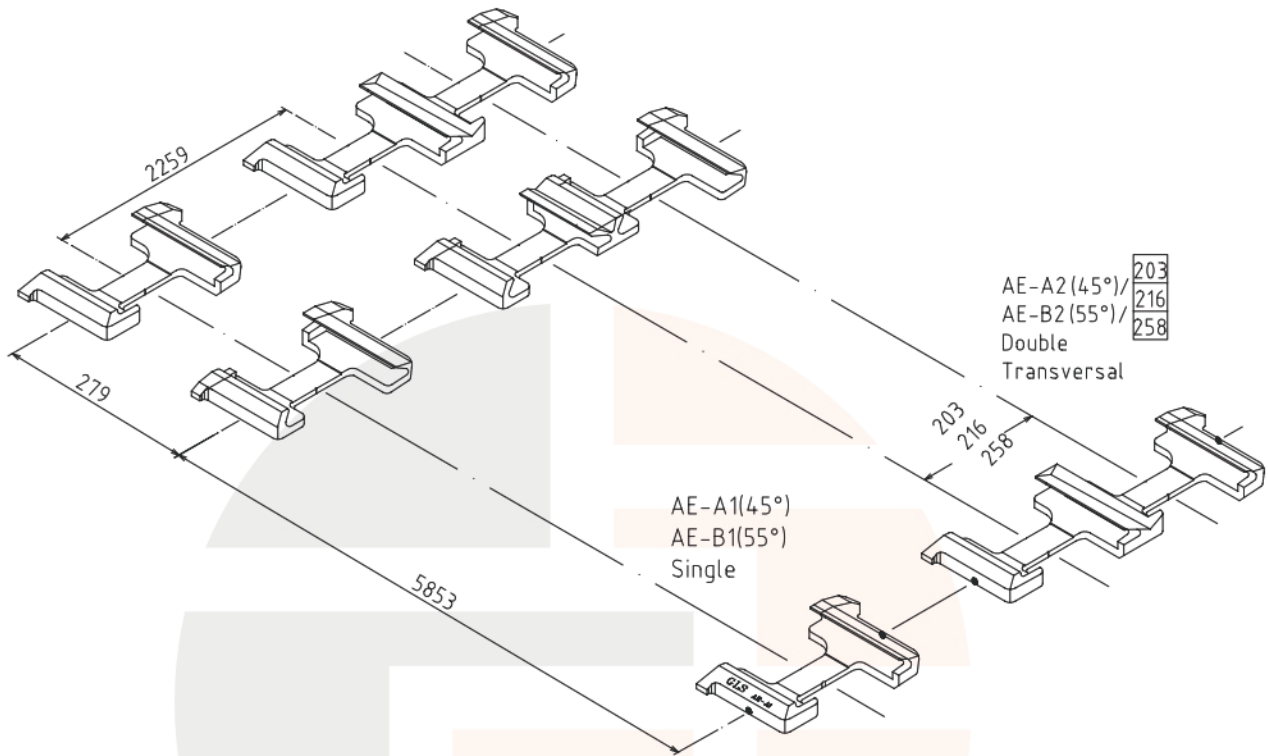
# 卓立琦船务有限公司 CLK Malaysia Sdn Bhd

202201005491 (1451188-V)

Unit No. B0525, Blok B, Jalan Eko Botani 3, Taman Eko Botani, 79100 Iskandar Puteri, Johor Malaysia.

Tel : 07-522 6715 E-mail : sales@clkmalaysia.com Fax : 07 5853715

## DOVETAIL PLATES

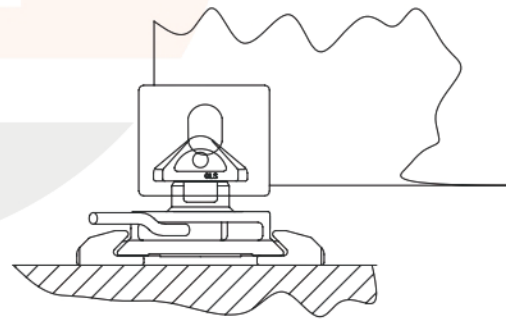


### Welding recommend



Deck or hatch cover

### Application



### **Specification**

- ✍ *Weldable shop primer*
- ✍ *Standard distances 203/216/258 mm*
- ✍ *Min. breaking loads tension 500 KN / shear 420 KN*
- ✍ *All item are approved by major classification societies*
- ✍ *Centre marking for easy installation*



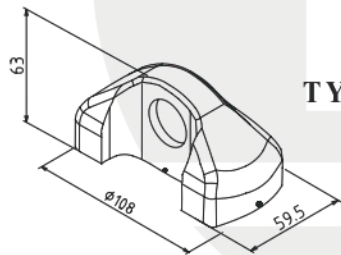
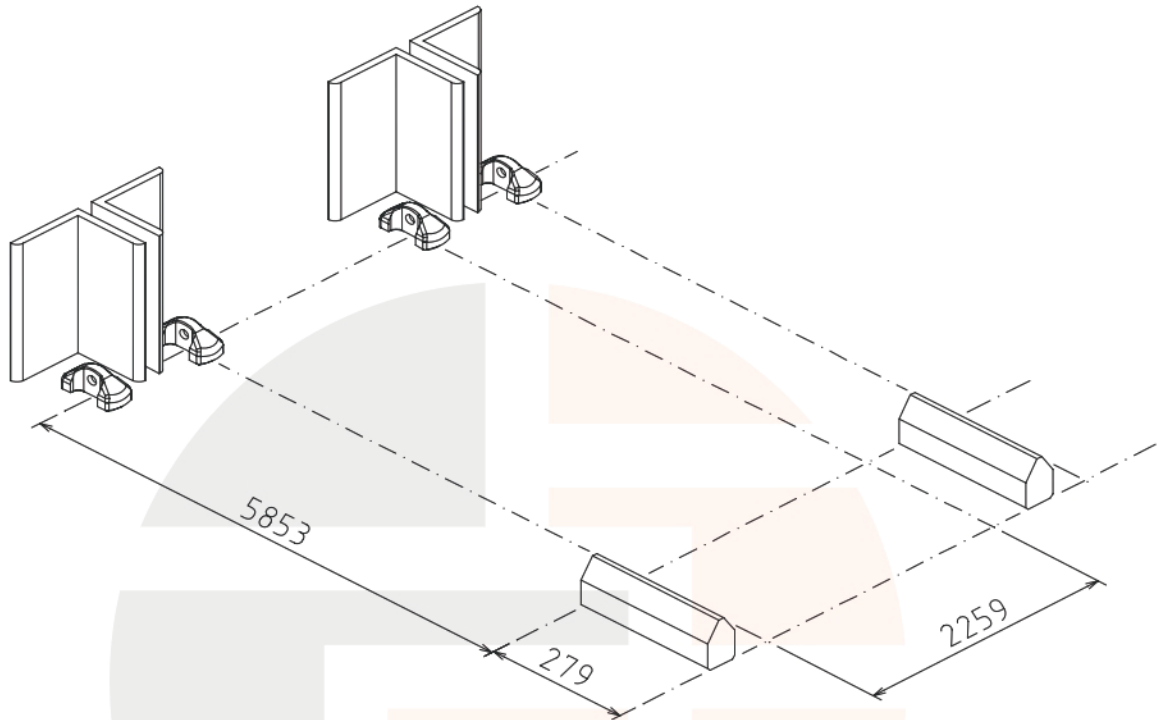
# 卓立琦船务有限公司 CLK Malaysia Sdn Bhd

202201005491 (1451188-V)

Unit No. B0525, Blok B, Jalan Eko Botani 3, Taman Eko Botani, 79100 Iskandar Puteri, Johor Malaysia.

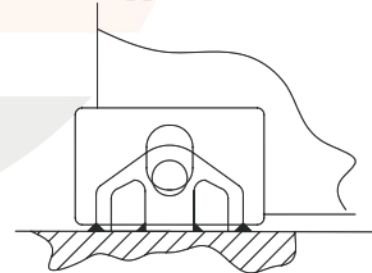
Tel : 07-522 6715 E-mail : sales@clkmalaysia.com Fax : 07 5853715

## WELDABLE CONES



**TYPE: AJ-A1**

### Application



### Specification

- ✍ *Weldable shop primer*
- ✍ *Min. breaking load shear 420 KN*
- ✍ *Min breaking loads compression 500KN*
- ✍ *All item are approved by major classification societies*
- ✍ *Centre marking for easy installation*
- ✍ *Welding chamfer all around*



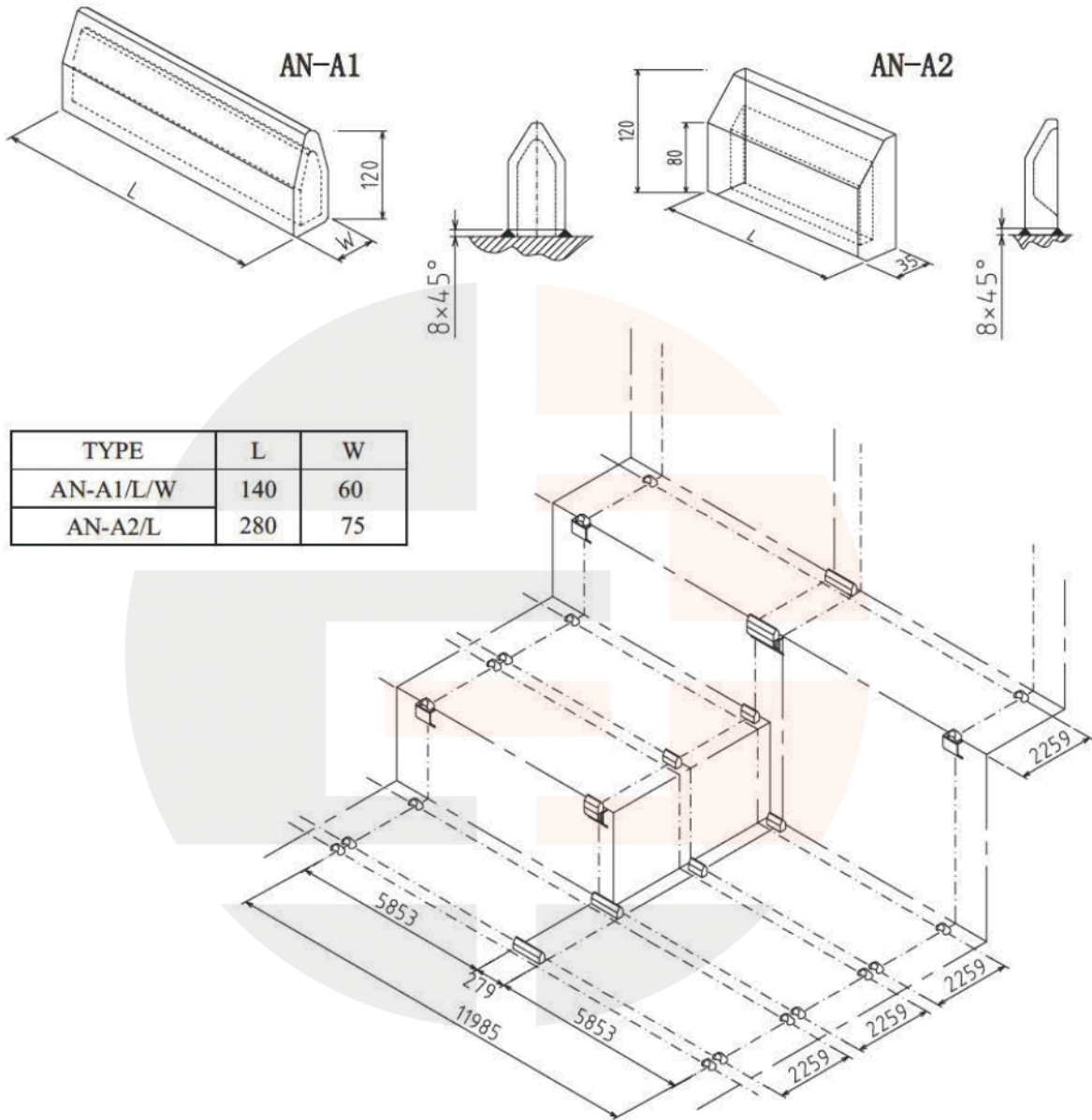
# 卓立琦船务有限公司 CLK Malaysia Sdn Bhd

202201005491 (1451188-V)

Unit No. B0525, Blok B, Jalan Eko Botani 3, Taman Eko Botani, 79100 Iskandar Puteri, Johor Malaysia.

Tel : 07-522 6715 E-mail : sales@clkmalaysia.com Fax : 07 5853715

## GUIDE FITTINGS



### Specification

- ✍ *Weldable shop primer*
- ✍ *Min. breaking loads shear 420 KN*
- ✍ *Other dimensions on request*
- ✍ *All item are approved by major classification societies*



# 卓立琦船务有限公司 CLK Malaysia Sdn Bhd

202201005491 (1451188-V)

Unit No. B0525, Blok B, Jalan Eko Botani 3, Taman Eko Botani, 79100 Iskandar Puteri, Johor Malaysia.

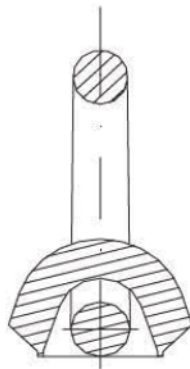
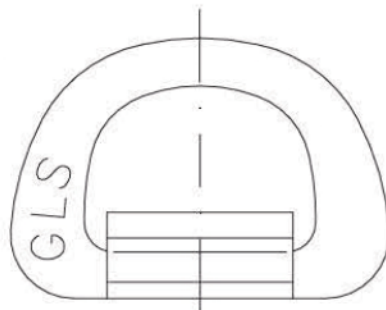
Tel : 07-522 6715 E-mail : sales@clkmalaysia.com Fax : 07 5853715

## D-RINGS

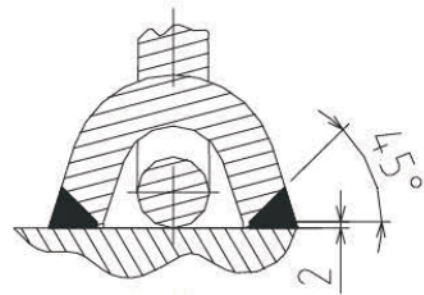


AL-A1 (MBL: 500KN)

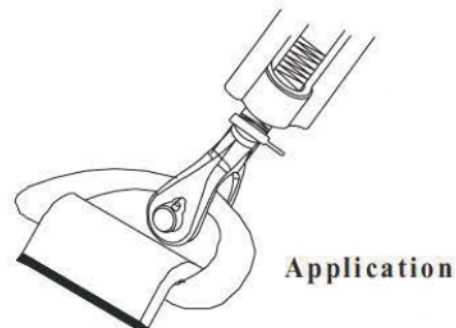
AL-C1 (MBL: 360KN)



### Welding recommendation



Deck



Application

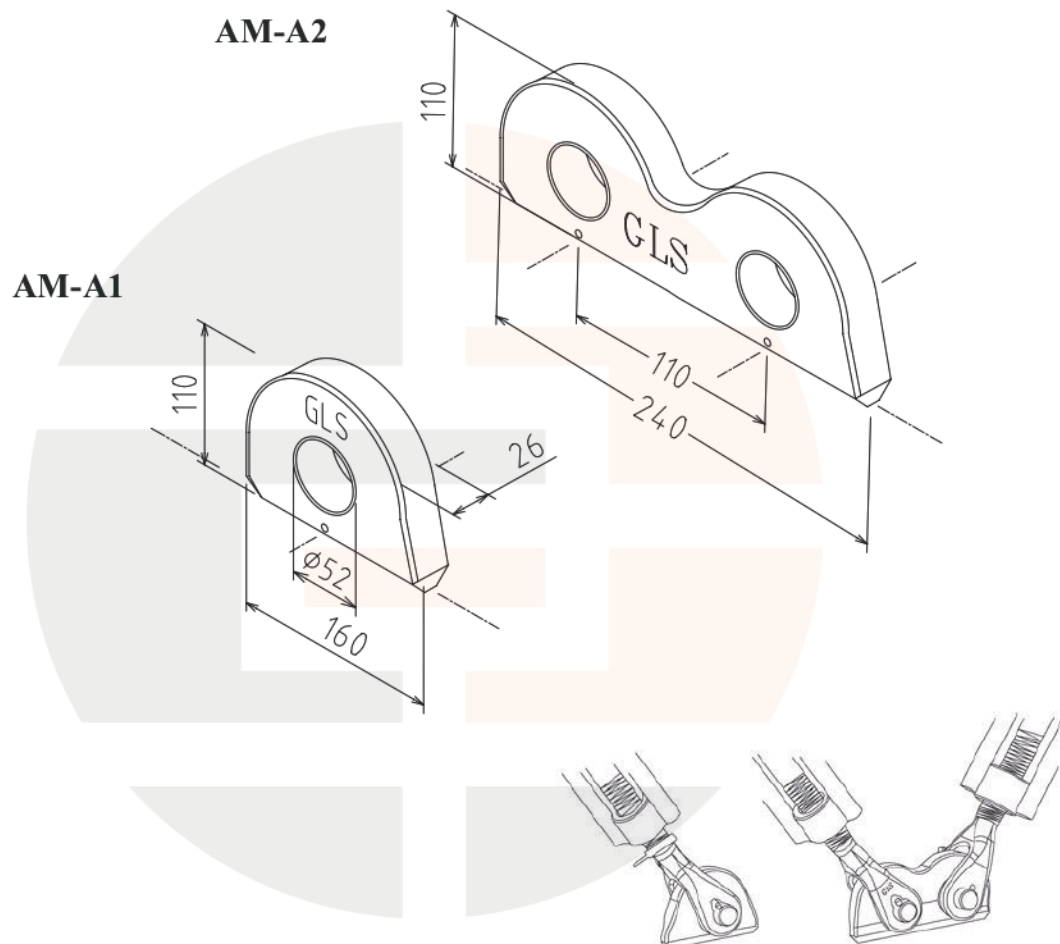
### Specification

*Clamp weldable shop primer D-ring hot dip galvanised*

*All item are approved by major classification societies*



## LASHING PLATES



### Specification

- ✍ *Weldable shop primer*
- ✍ *Min. breaking loads tension 500 KN*
- ✍ *Other dimensions materials and finishes on request*
- ✍ *All item are approved by major classification societies*
- ✍ *Centre marking for easy installation*

Typical arrangement of lashing plates  
for double cross lashing systems



# 卓立琦船务有限公司 CLK Malaysia Sdn Bhd

202201005491 (1451188-V)

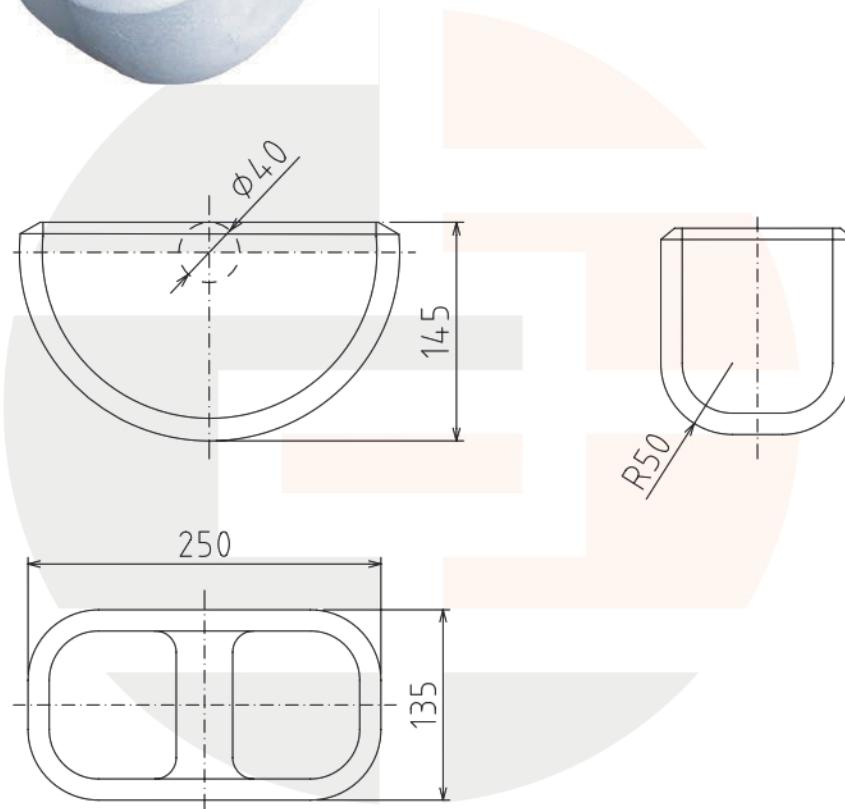
Unit No. B0525, Blok B, Jalan Eko Botani 3, Taman Eko Botani, 79100 Iskandar Puteri, Johor Malaysia.

Tel : 07-522 6715 E-mail : sales@clkmalaysia.com Fax : 07 5853715

## LASHING POT



TYPE: AL-M1



### **Specification**

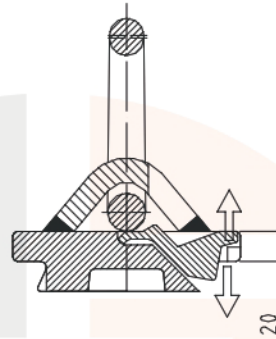
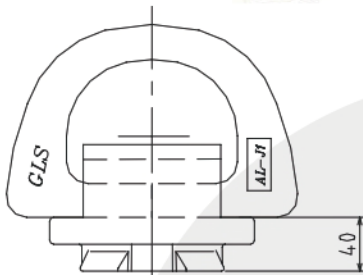
- Weldable shop primer*
- Min. breaking loads tension 360 KN*
- All item are approved by major classification societies*
- Centre marking for easy installation*



## D-RINGS



AL-J1

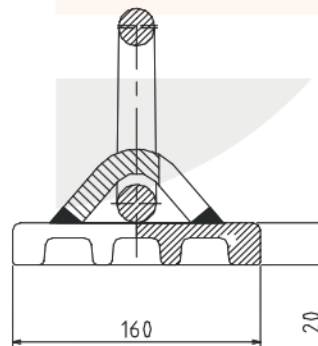
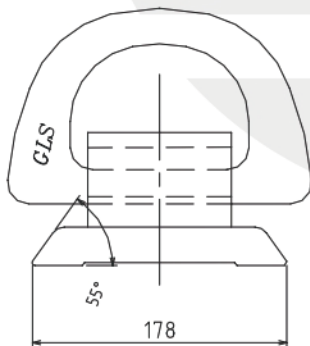


Pin has a function to prevent dropping off the round foundation

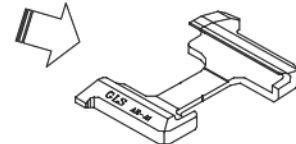
TYPE: AH-A1



AL-K1



TYPE: AE-B1



### Specification

- ✎ Clamp weldable shop primer D-ring hot dip galvanised
- ✎ Min. breaking loads 500 KN
- ✎ All item are approved by major classification societies



# 卓立琦船务有限公司 CLK Malaysia Sdn Bhd

202201005491 (1451188-V)

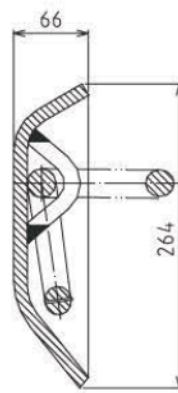
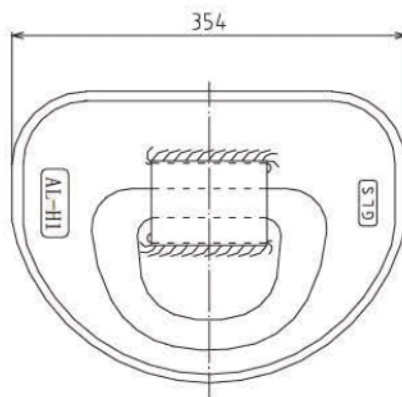
Unit No. B0525, Blok B, Jalan Eko Botani 3, Taman Eko Botani, 79100 Iskandar Puteri, Johor Malaysia.

Tel : 07-522 6715 E-mail : sales@clkmalaysia.com Fax : 07 5853715

## D-RINGS

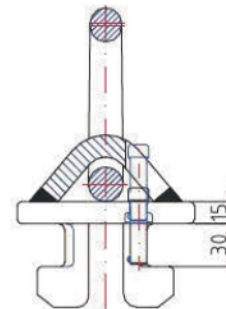
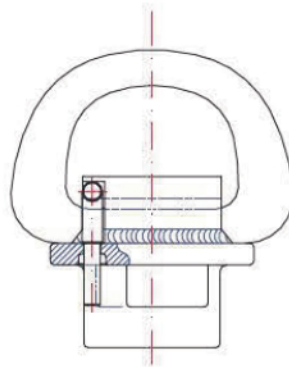


AL-H1



Application

AL-L1



### Specification

✍️ Clamp weldable shop primer D-ring hot dip galvanised

✍️ Min. breaking loads tension AL-H1 : 360KN AL-L1 : 500KN

✍️ All item are approved by major classification societies



# 卓立琦船务有限公司 CLK Malaysia Sdn Bhd

202201005491 (1451188-V)

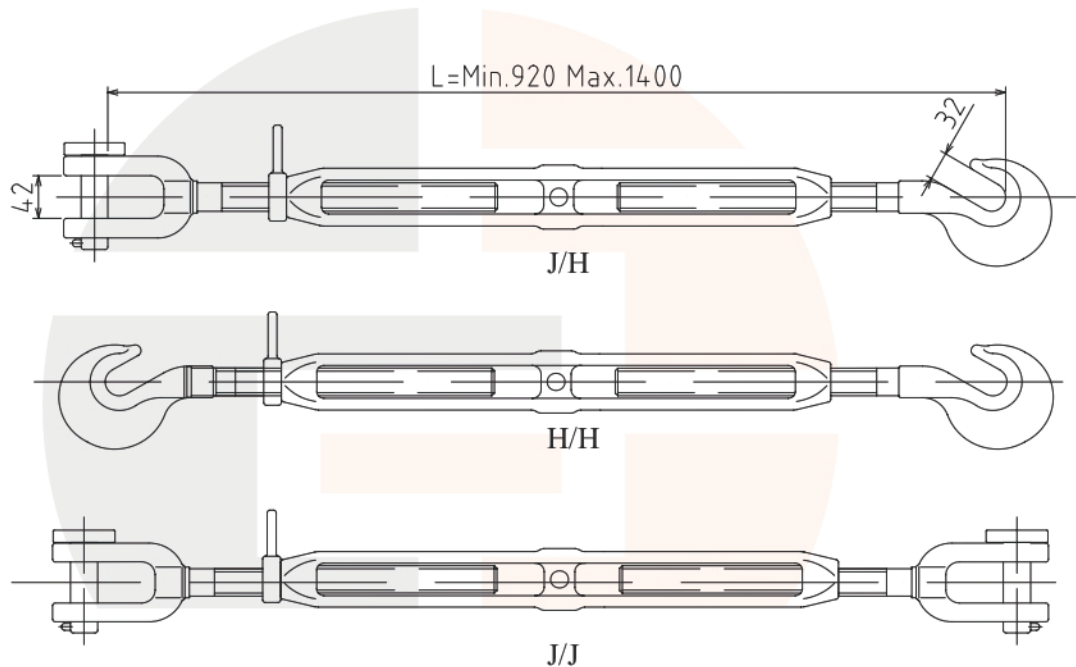
Unit No. B0525, Blok B, Jalan Eko Botani 3, Taman Eko Botani, 79100 Iskandar Puteri, Johor Malaysia.

Tel : 07-522 6715 E-mail : sales@clkmalaysia.com Fax : 07 5853715

## TURNBUCKLES



**TYPE: BA-A1**



**Turnbuckles Spanner**

### **Specification**

- Hot dip galvanised*
- Min. breaking loads tension 500 KN*
- All item are approved by major classification societies*
- Stand distances MIN 920~~MAX 1400mm*



# 卓立琦船务有限公司 CLK Malaysia Sdn Bhd

202201005491 (1451188-V)

Unit No. B0525, Blok B, Jalan Eko Botani 3, Taman Eko Botani, 79100 Iskandar Puteri, Johor Malaysia.

Tel : 07-522 6715 E-mail : sales@clkmalaysia.com Fax : 07 5853715

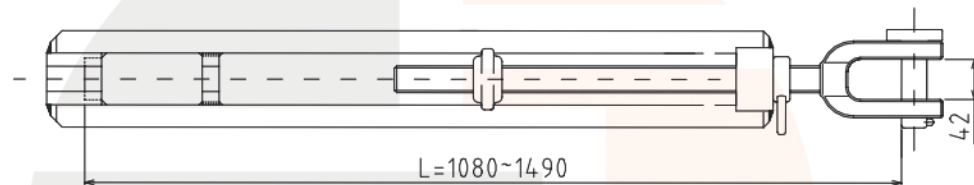
## TURNBUCKLE

TYPE: BA-K1

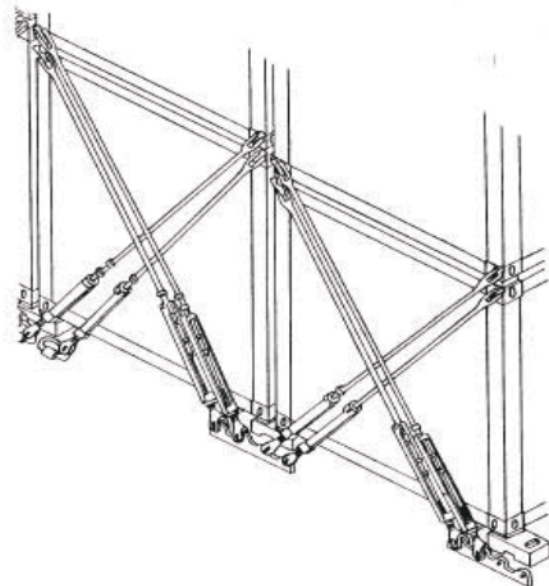


### Standard distances

Min: 1080mm Max: 1490mm



### Application



### Specification

- Hot dip galvanised*
- Min. breaking loads tension 500 KN*
- All item are approved by major classification societies*



# 卓立琦船务有限公司 CLK Malaysia Sdn Bhd

202201005491 (1451188-V)

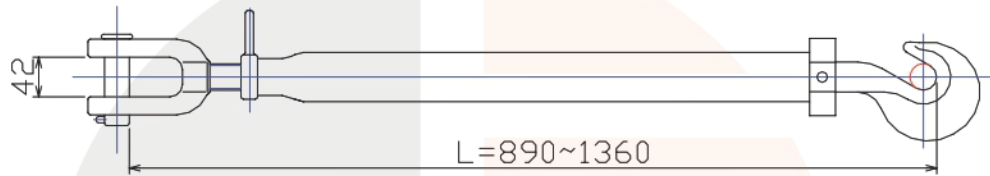
Unit No. B0525, Blok B, Jalan Eko Botani 3, Taman Eko Botani, 79100 Iskandar Puteri, Johor Malaysia.

Tel : 07-522 6715 E-mail : sales@clkmalaysia.com Fax : 07 5853715

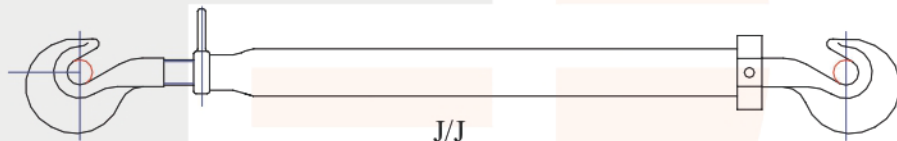
## TURNBUCKLES



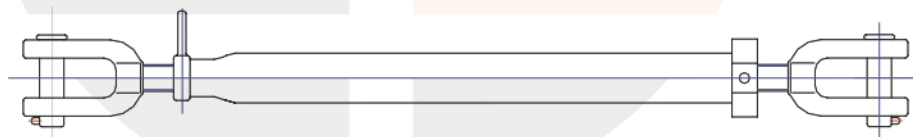
TYPE: BA-D1



Jaw/Hook



J/J



H/H

### Specification

- Hot dip galvanised*
- Min. breaking loads tension 500 KN*
- All item are approved by major classification societies*
- Stand distances MIN 890~~MAX 1360mm*



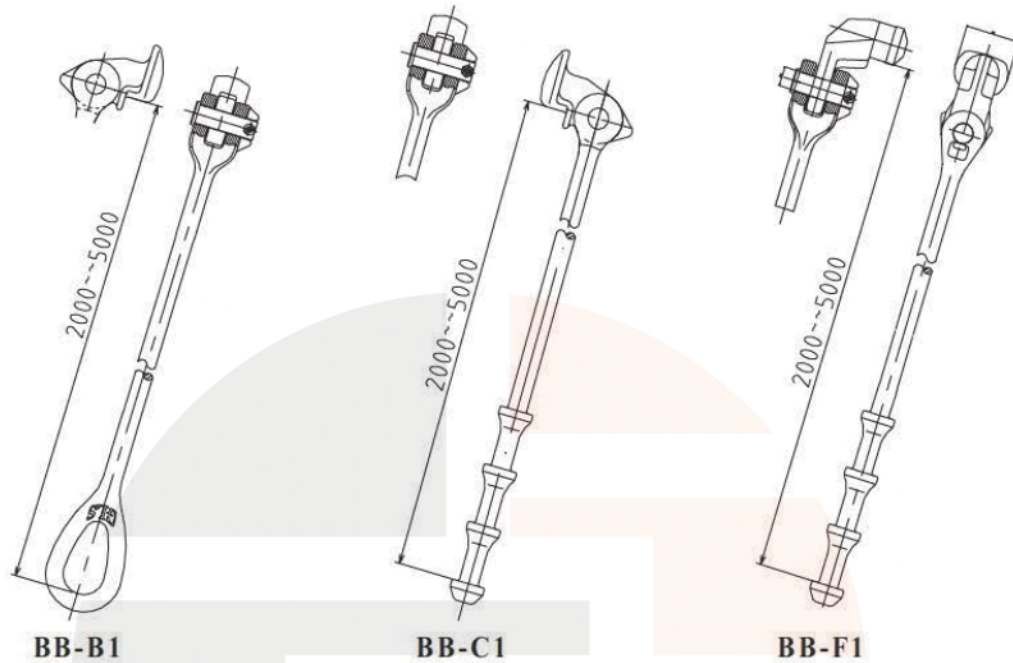
# 卓立琦船务有限公司 CLK Malaysia Sdn Bhd

202201005491 (1451188-V)

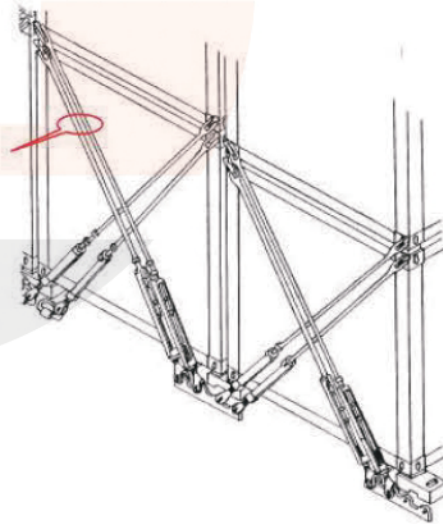
Unit No. B0525, Blok B, Jalan Eko Botani 3, Taman Eko Botani, 79100 Iskandar Puteri, Johor Malaysia.

Tel : 07-522 6715 E-mail : sales@clkmalaysia.com Fax : 07 5853715

## LASHING RODS



### Application



### Specification

- ✍ *Made of high tensile steel*
- ✍ *Hot dip galvanised*
- ✍ *Min. breaking loads tension BB-B1 BB-C1 : 500 KN*
- ✍ *Min. breaking loads tension BB-F1 : 360KN*
- ✍ *Other dimensions on request*
- ✍ *All item are approved by major classification societies*



# 卓立琦船务有限公司 CLK Malaysia Sdn Bhd

202201005491 (1451188-V)

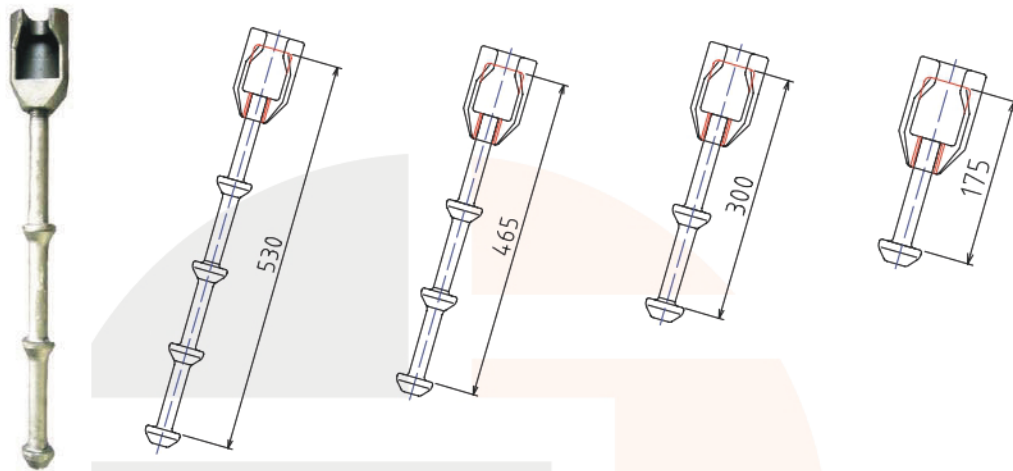
Unit No. B0525, Blok B, Jalan Eko Botani 3, Taman Eko Botani, 79100 Iskandar Puteri, Johor Malaysia.

Tel : 07-522 6715 E-mail : sales@clkmalaysia.com Fax : 07 5853715

## EXTENSION RODS

**BB-D1**

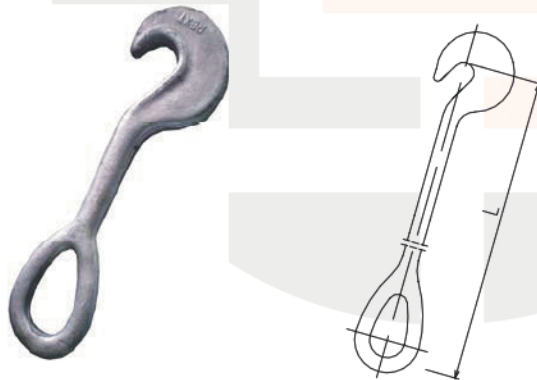
**Standard distances 530mm**



**BB-E1**

**Standard distances 310mm**

**L=310--600**



### **Specification**

- Hot dip galvanised*
- Min. breaking loads tension 500 KN*
- Other dimensions materials and finishes on request*
- All item are approved by major classification societies*



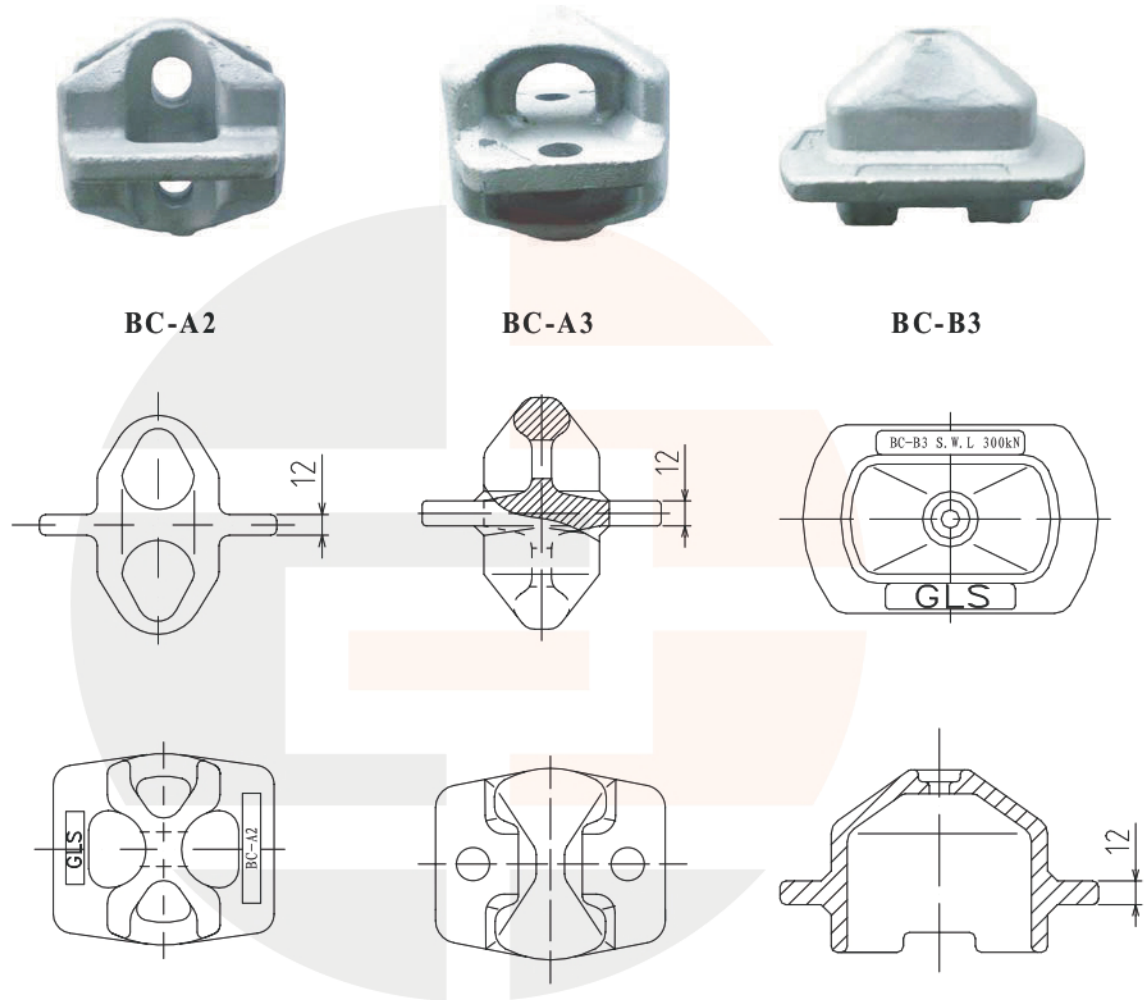
# 卓立琦船务有限公司 CLK Malaysia Sdn Bhd

202201005491 (1451188-V)

Unit No. B0525, Blok B, Jalan Eko Botani 3, Taman Eko Botani, 79100 Iskandar Puteri, Johor Malaysia.

Tel : 07-522 6715 E-mail : sales@clkmalaysia.com Fax : 07 5853715

## SINGLE STACKING CONES



### **Specification**

- Hot dip galvanised*
- Min. breaking loads shear 420 KN*
- Min breaking loads compression 800KN*
- All item are approved by major classification societies*



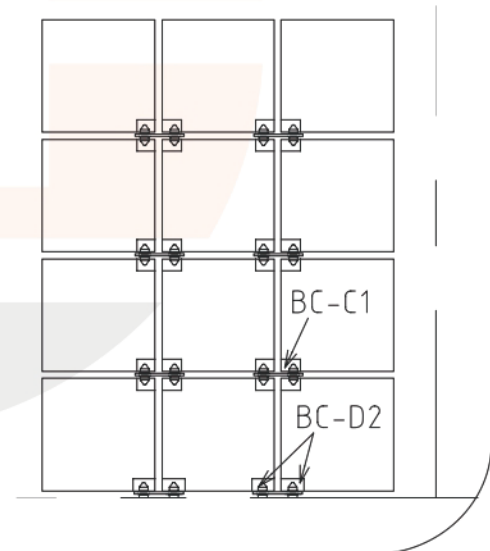
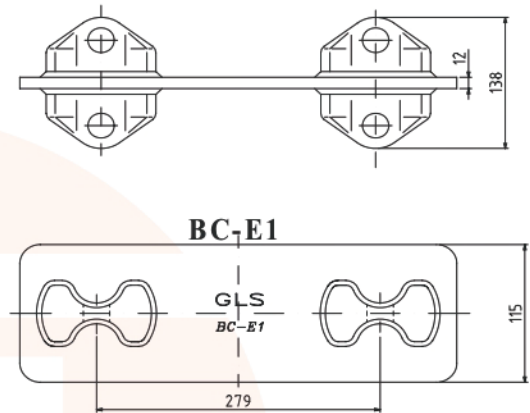
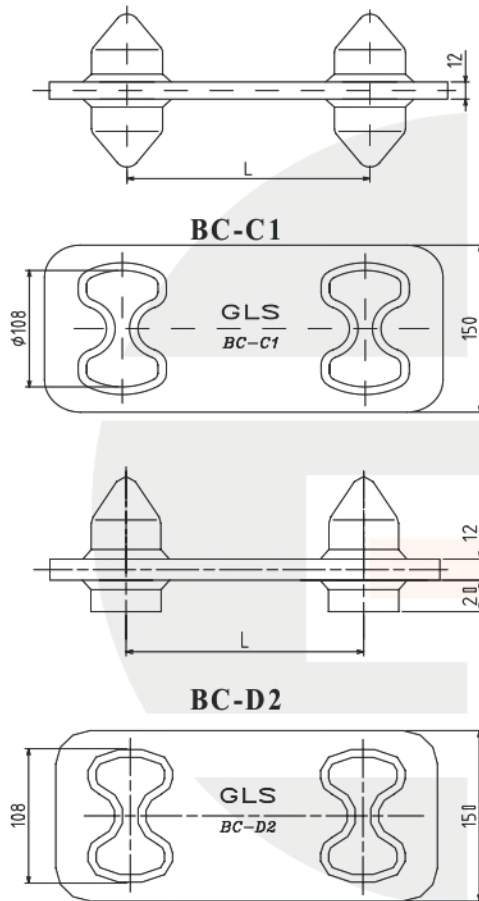
# 卓立琦船务有限公司 CLK Malaysia Sdn Bhd

202201005491 (1451188-V)

Unit No. B0525, Blok B, Jalan Eko Botani 3, Taman Eko Botani, 79100 Iskandar Puteri, Johor Malaysia.

Tel : 07-522 6715 E-mail : sales@clkmalaysia.com Fax : 07 5853715

## DOUBLE STACKING CONES



### Specification

- L = 203/216/258*
- Hot dip galvanised*
- Min. breaking loads shear 500 KN*
- Min breaking loads compression 800KN*
- Other dimensions and finishes on request*
- All item are approved by major classification societies*

### Application



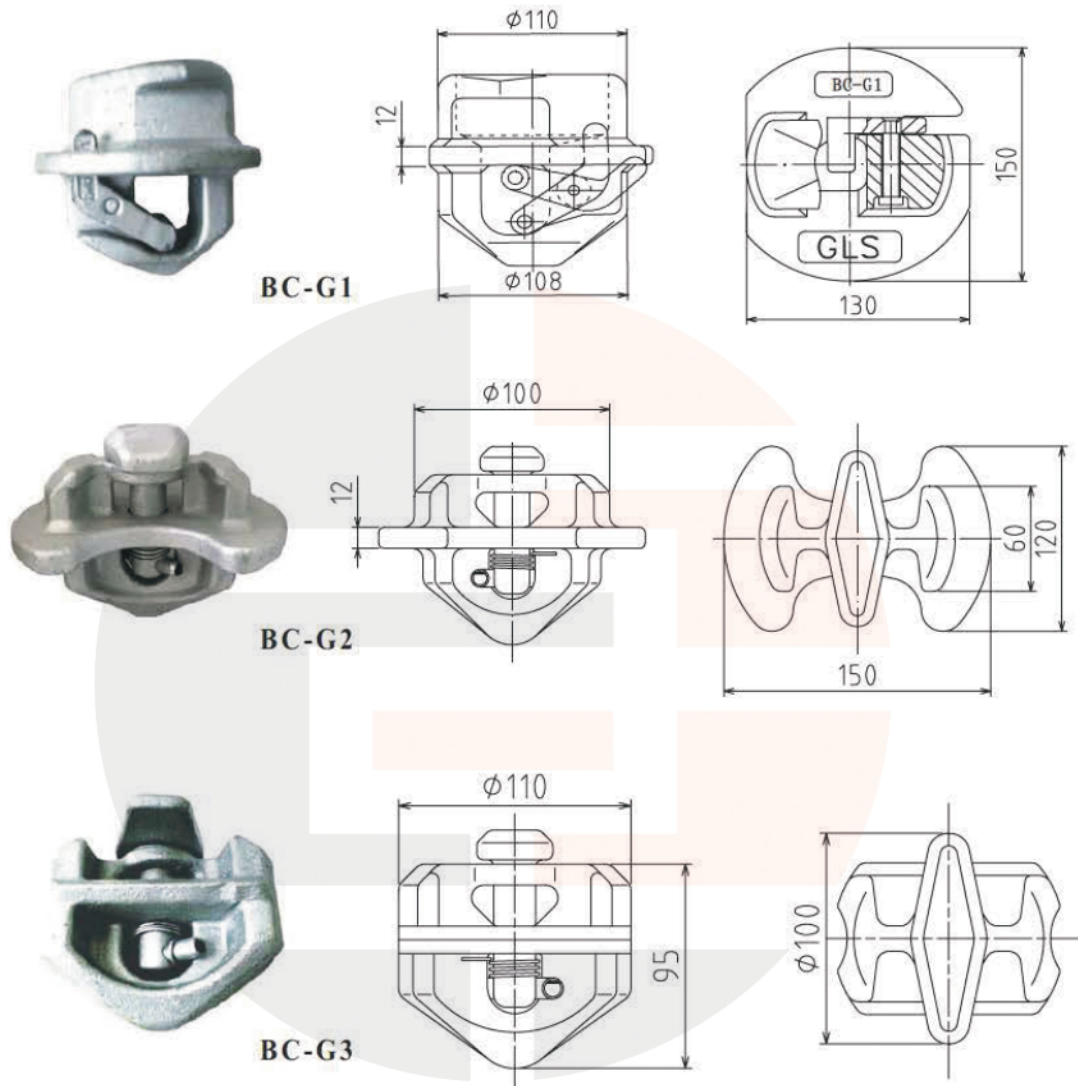
# 卓立琦船务有限公司 CLK Malaysia Sdn Bhd

202201005491 (1451188-V)

Unit No. B0525, Blok B, Jalan Eko Botani 3, Taman Eko Botani, 79100 Iskandar Puteri, Johor Malaysia.

Tel : 07-522 6715 E-mail : sales@clkmalaysia.com Fax : 07 5853715

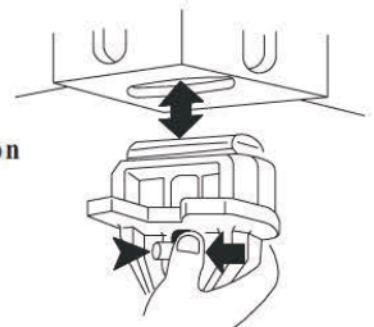
## LOCKABLE STACKING CONES



### Specification

- Hot dip galvanised
- Min. breaking loads shear 420 KN
- Min breaking loads compression 800KN
- All item are approved by major classification societies

### Application





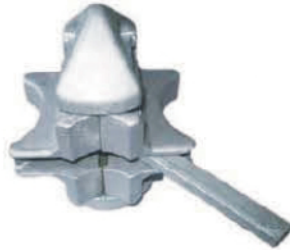
# 卓立琦船务有限公司 CLK Malaysia Sdn Bhd

202201005491 (1451188-V)

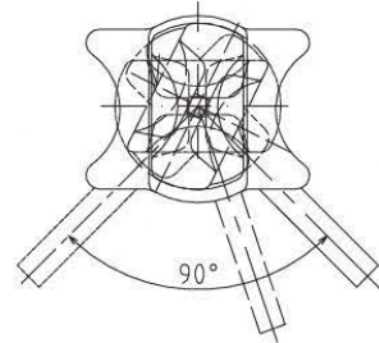
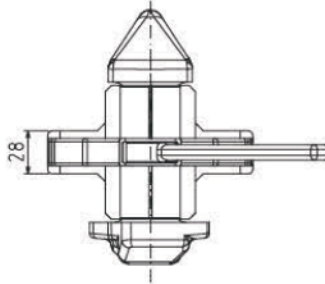
Unit No. B0525, Blok B, Jalan Eko Botani 3, Taman Eko Botani, 79100 Iskandar Puteri, Johor Malaysia.

Tel : 07-522 6715 E-mail : sales@clkmalaysia.com Fax : 07 5853715

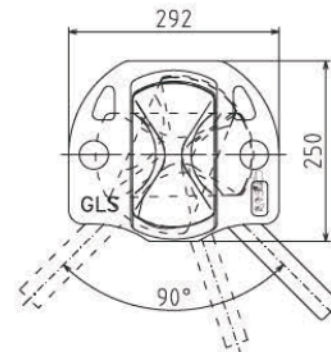
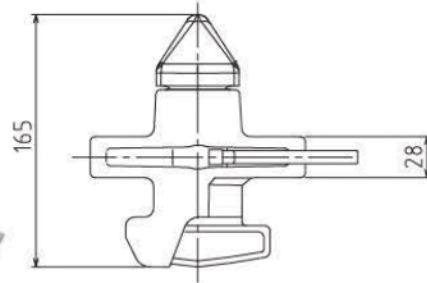
## TWISTLOCKS



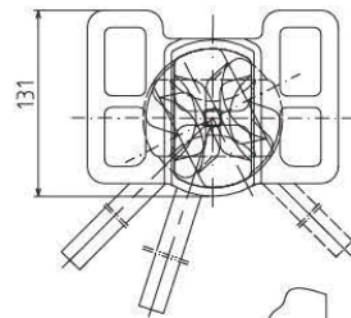
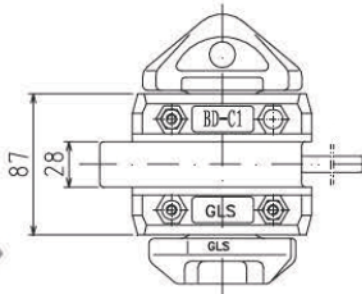
BD-A2



BD-B1

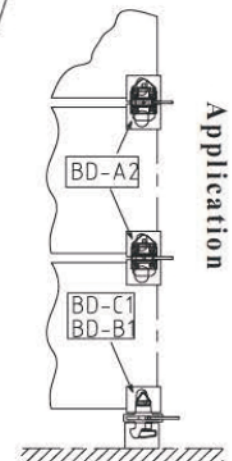


BD-C1



### Specification

- Hot dip galvanised*
- Min. breaking loads tension 500 KN / shear 420 KN*
- Min breaking loads compression 2000KN*
- All item are approved by major classification societies*





# 卓立琦船务有限公司 CLK Malaysia Sdn Bhd

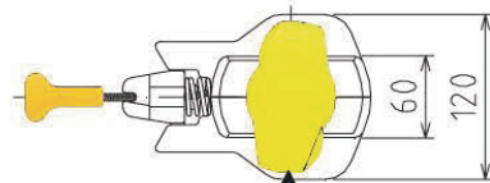
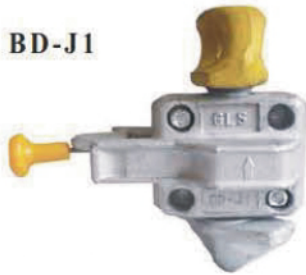
202201005491 (1451188-V)

Unit No. B0525, Blok B, Jalan Eko Botani 3, Taman Eko Botani, 79100 Iskandar Puteri, Johor Malaysia.

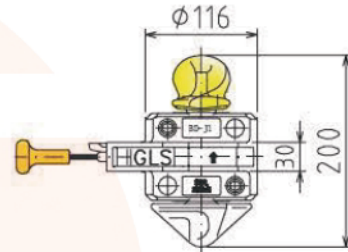
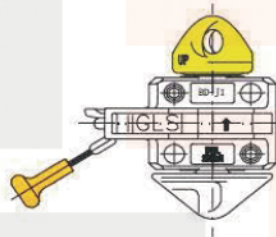
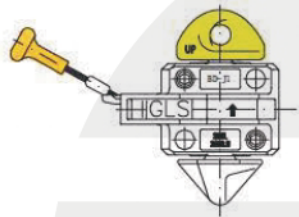
Tel : 07-522 6715 E-mail : sales@clkmalaysia.com Fax : 07 5853715

## SEMI-AUTOMATIC TWISTLOCKS

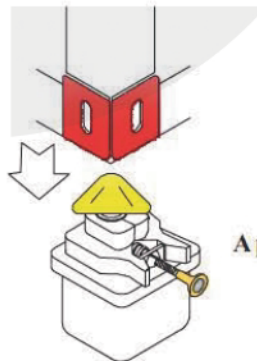
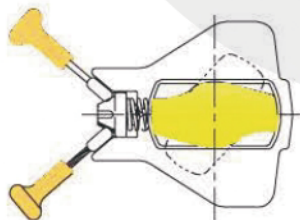
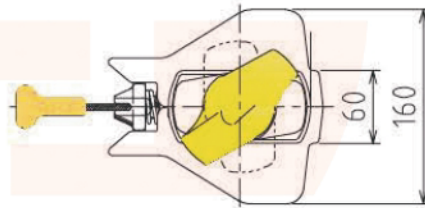
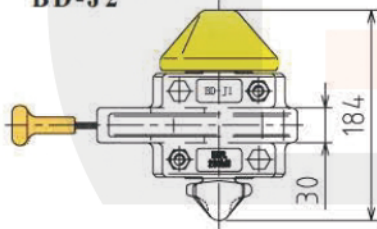
BD-J1



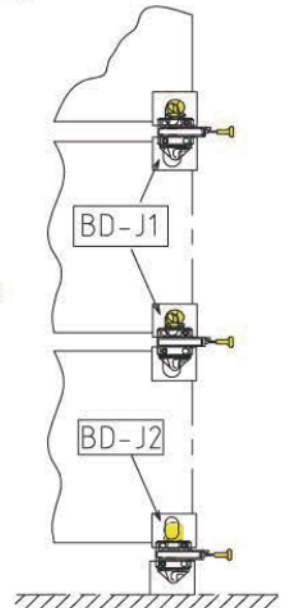
Cone marked yellow



BD-J2



Application



### Specification

- Hot dip galvanised
- Min. breaking loads tension 500 KN / shear 420 KN
- Min breaking loads compression 2000KN
- All item are approved by major classification societies



# 卓立琦船务有限公司 CLK Malaysia Sdn Bhd

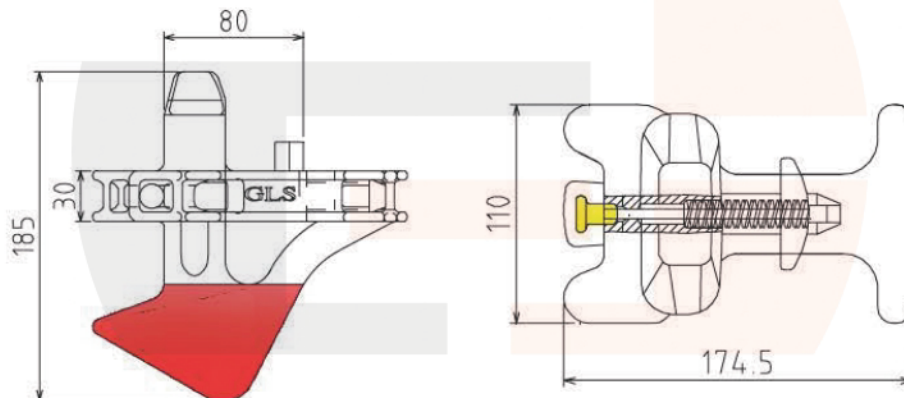
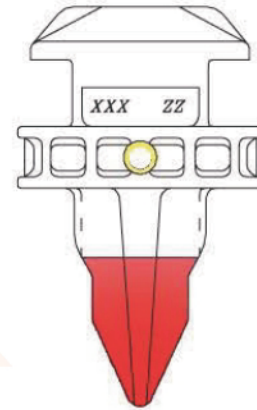
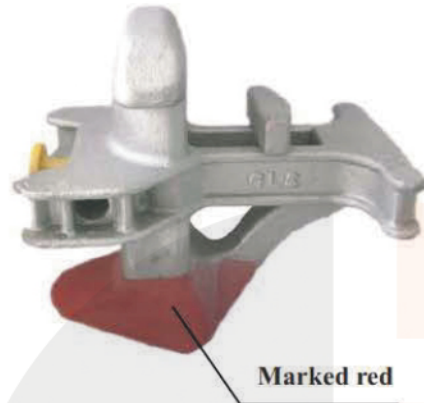
202201005491 (1451188-V)

Unit No. B0525, Blok B, Jalan Eko Botani 3, Taman Eko Botani, 79100 Iskandar Puteri, Johor Malaysia.

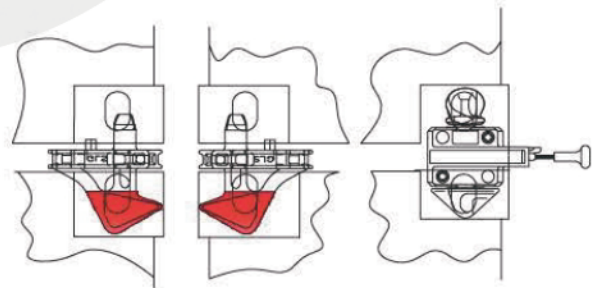
Tel : 07-522 6715 E-mail : sales@clkmalaysia.com Fax : 07 5853715

## MIDLOCKS

TYPE: BD-K2



### Application



### Specification

- Hot dip galvanised*
- Min. breaking loads tension 500 KN / shear 420 KN*
- Min breaking loads compression 2000KN*
- All item are approved by major classification societies*



# 卓立琦船务有限公司 CLK Malaysia Sdn Bhd

202201005491 (1451188-V)

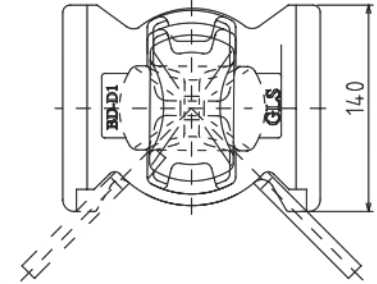
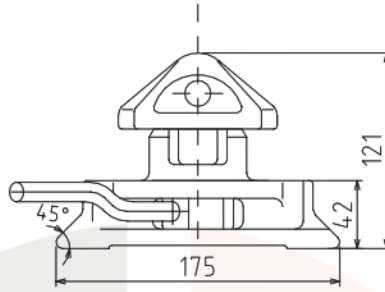
Unit No. B0525, Blok B, Jalan Eko Botani 3, Taman Eko Botani, 79100 Iskandar Puteri, Johor Malaysia.

Tel : 07-522 6715 E-mail : sales@clkmalaysia.com Fax : 07 5853715

## DOVETAIL TWISTLOCKS

BD-D1/ 

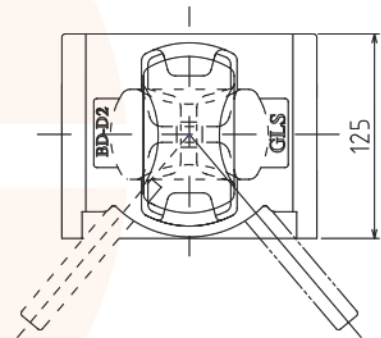
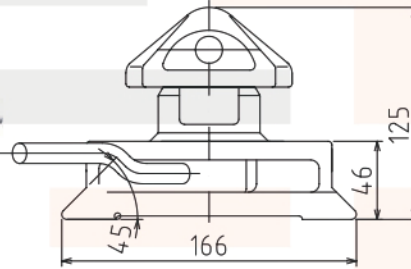
R
L



45° Standard

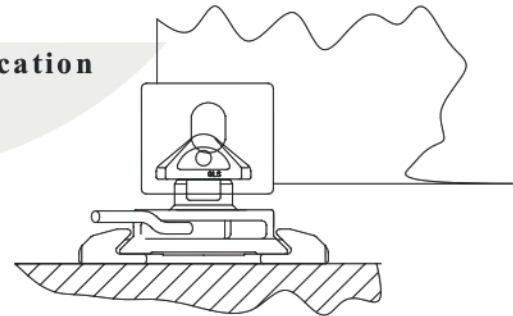
BD-D2/ 

R
L



45° Pint-size

### Application



### Specification

- Hot dip galvanised*
- Min. breaking loads tension 500 KN / shear 420 KN*
- Min breaking loads compression 2000KN*
- All item are approved by major classification societies*



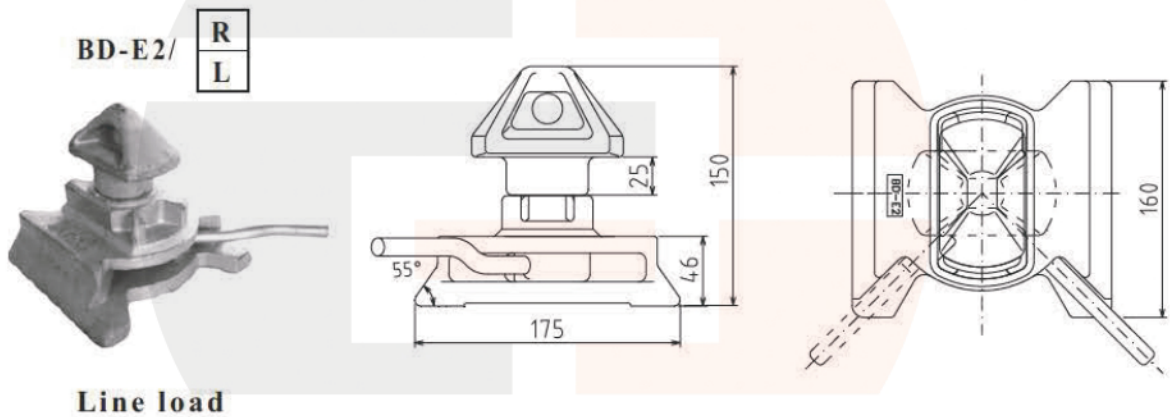
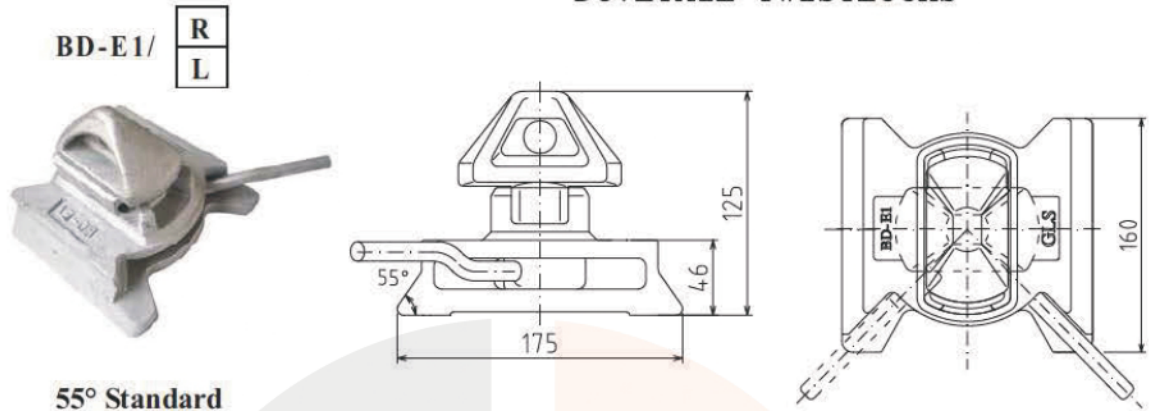
# 卓立琦船务有限公司 CLK Malaysia Sdn Bhd

202201005491 (1451188-V)

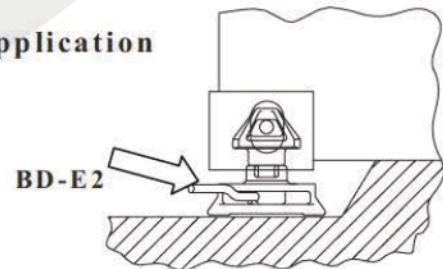
Unit No. B0525, Blok B, Jalan Eko Botani 3, Taman Eko Botani, 79100 Iskandar Puteri, Johor Malaysia.

Tel : 07-522 6715 E-mail : sales@clkmalaysia.com Fax : 07 5853715

## DOVETAIL TWISTLOCKS



### Application



### Specification

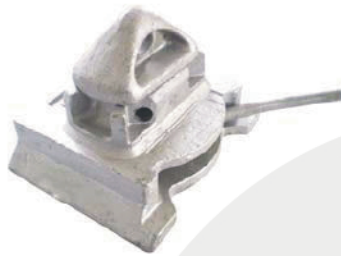
- Hot dip galvanised*
- Min. breaking loads tension 500 KN / shear 420 KN*
- Min breaking loads compression 2000KN*
- All item are approved by major classification societies*



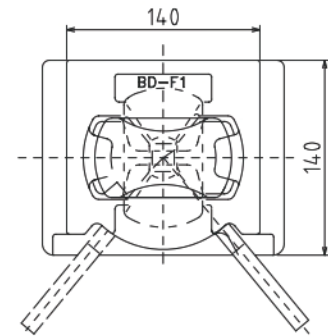
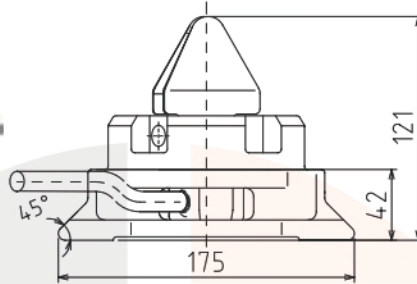
## DOVETAIL TWISTLOCKS

BD-F1/ 

R
L

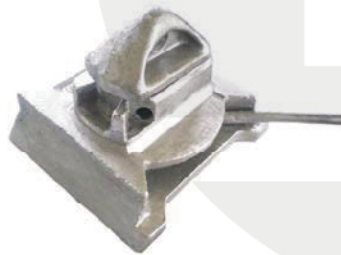


45° transversal

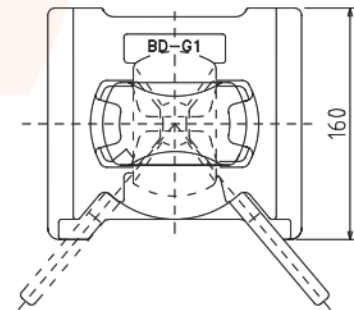
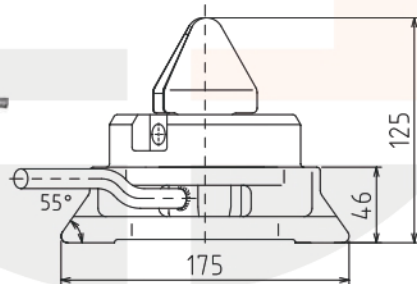


BD-G1/ 

R
L



55° transversal



### Specification

- Hot dip galvanised*
- Min. breaking loads tension 500 KN / shear 420 KN*
- Min breaking loads compression 2000KN*
- All item are approved by major classification societies*



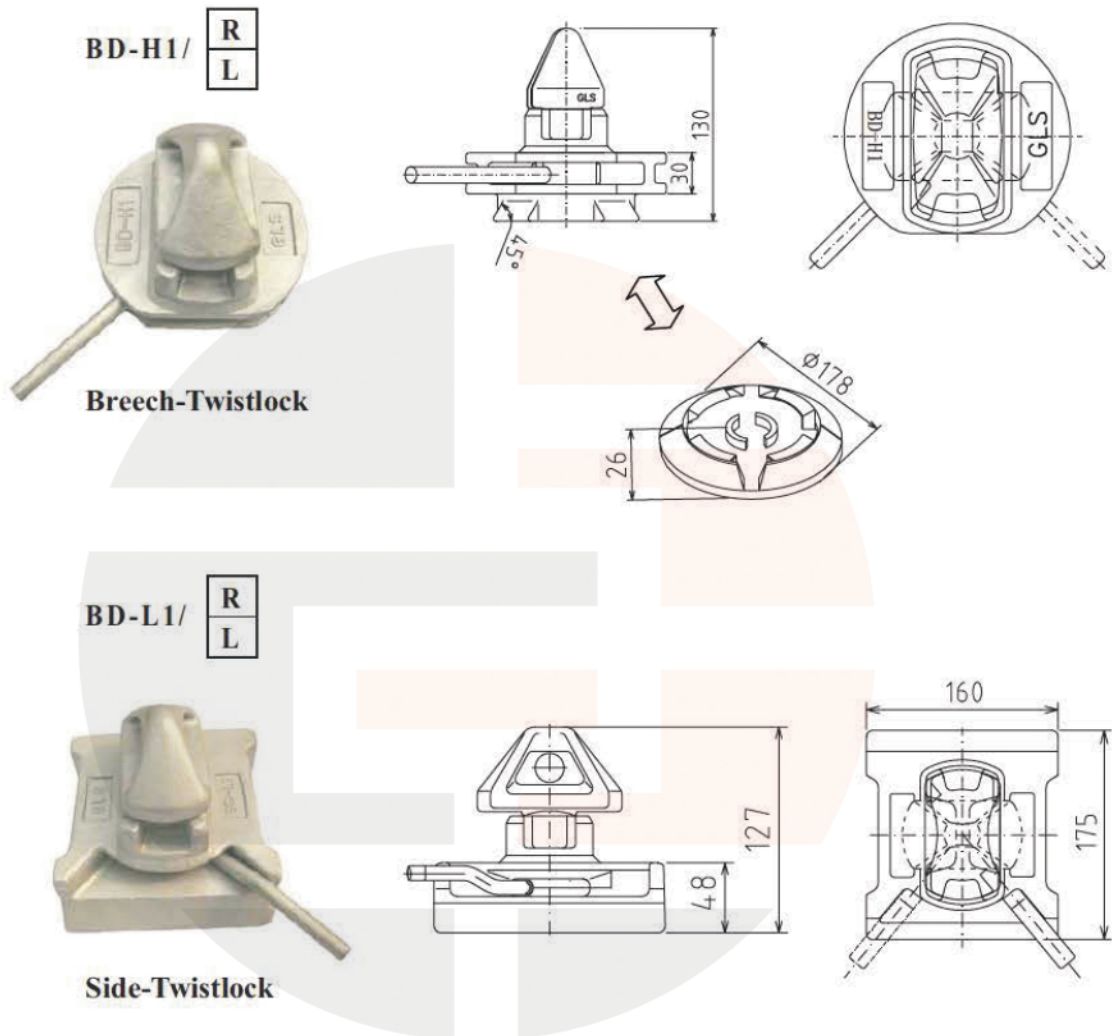
# 卓立琦船务有限公司 CLK Malaysia Sdn Bhd

202201005491 (1451188-V)

Unit No. B0525, Blok B, Jalan Eko Botani 3, Taman Eko Botani, 79100 Iskandar Puteri, Johor Malaysia.

Tel : 07-522 6715 E-mail : sales@clkmalaysia.com Fax : 07 5853715

## DOVETAIL TWISTLOCKS



### Specification

- Hot dip galvanised
- Min. breaking loads tension 500 KN / shear 420 KN
- Min breaking loads compression 2000KN
- All item are approved by major classification societies



# 卓立琦船务有限公司 CLK Malaysia Sdn Bhd

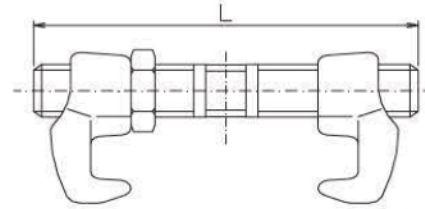
202201005491 (1451188-V)

Unit No. B0525, Blok B, Jalan Eko Botani 3, Taman Eko Botani, 79100 Iskandar Puteri, Johor Malaysia.

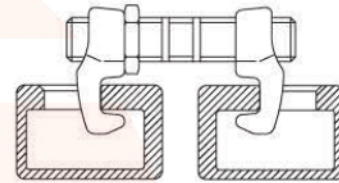
Tel : 07-522 6715 E-mail : sales@clkmalaysia.com Fax : 07 5853715

## BRIDGE FITTINGS

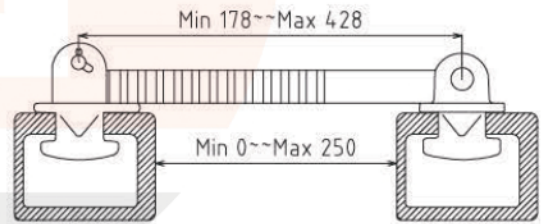
BE-A1



Tools



BE-B1



TYPE	L	M.B.L
BE-A1	260-380	100KN
BE-B1	178-438	300KN

### Specification

*Hot dip galvanised*

*Other dimensions materials and finishes on request*

*All item are approved by major classification societies*



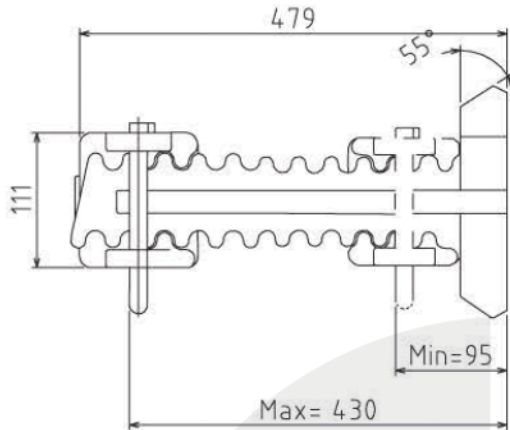
# 卓立琦船务有限公司 CLK Malaysia Sdn Bhd

202201005491 (1451188-V)

Unit No. B0525, Blok B, Jalan Eko Botani 3, Taman Eko Botani, 79100 Iskandar Puteri, Johor Malaysia.

Tel : 07-522 6715 E-mail : sales@clkmalaysia.com Fax : 07 5853715

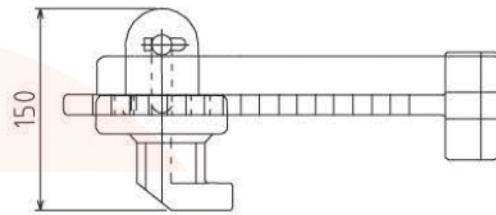
## PRESSURE ELEMENTS



### TYPE: BF-A1

Min B.L Tension 325KN

Min B.L Shear 325KN

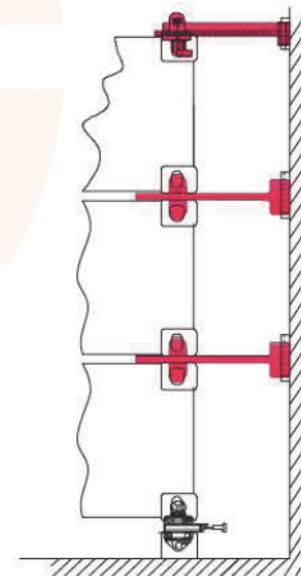
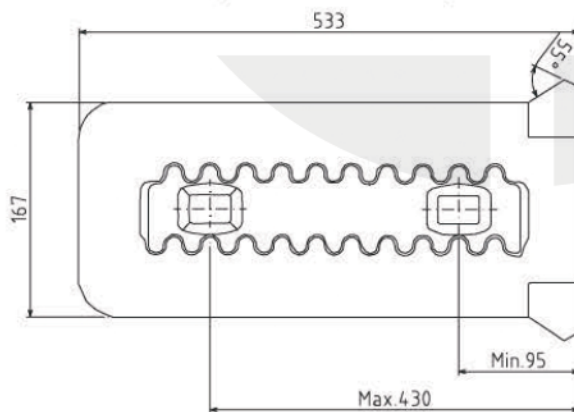
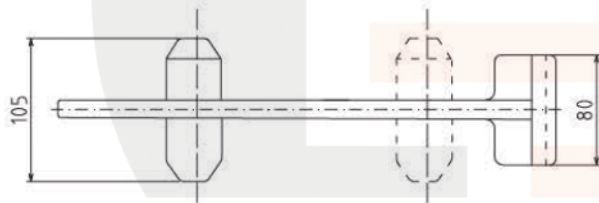


### TYPE: BF-A2

Min B.L Tension 850KN

Min B.L Shear 850KN

Min Compression 2000KN



Application

### Specification

*Finish painted*

*All item are approved by major classification societies*



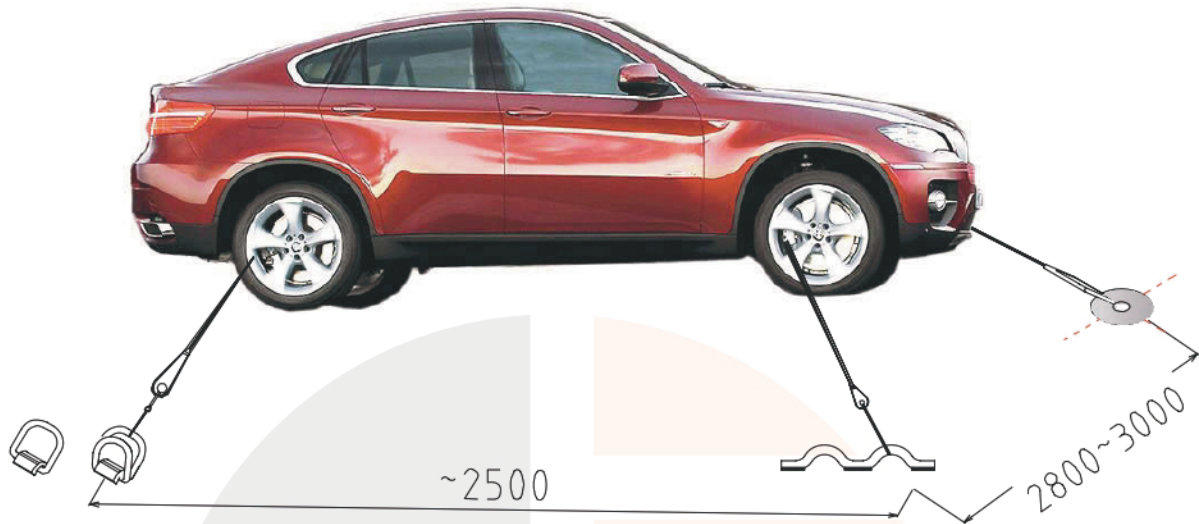
# 卓立琦船务有限公司 CLK Malaysia Sdn Bhd

202201005491 (1451188-V)

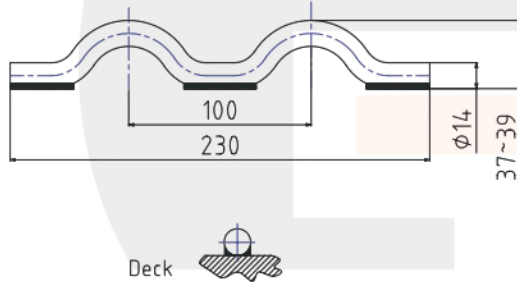
Unit No. B0525, Blok B, Jalan Eko Botani 3, Taman Eko Botani, 79100 Iskandar Puteri, Johor Malaysia.

Tel : 07-522 6715 E-mail : sales@clkmalaysia.com Fax : 07 5853715

## RO-RO SHIPS

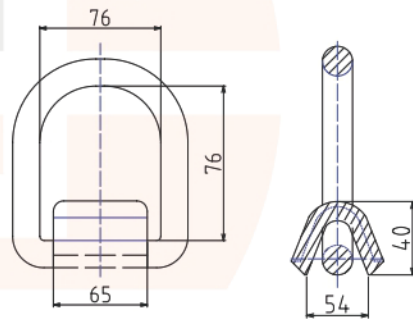


CRINKLE BAR TYPE: CA-A1



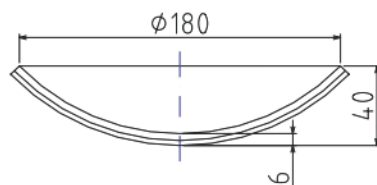
Min breaking loads 50KN/200 KN

D-RING TYPE: CA-B1



Min breaking loads 200 KN

FLUSH POT TYPE: CA-C1



CAR LASHING TYPE: CA-D1



Min breaking loads 20 KN

### Specification

*All item are approved by major classification societies*



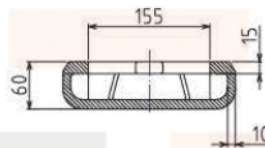
# 卓立琦船务有限公司 CLK Malaysia Sdn Bhd

202201005491 (1451188-V)

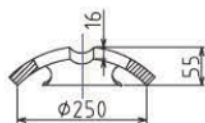
Unit No. B0525, Blok B, Jalan Eko Botani 3, Taman Eko Botani, 79100 Iskandar Puteri, Johor Malaysia.

Tel : 07-522 6715 E-mail : sales@clkmalaysia.com Fax : 07 5853715

## LASHPOTS

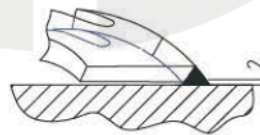


TYPE: CA-E1



Welding Recommendation

Deck



TYPE: CA-F1

### Specification

- ✍ Weldable shop primer
- ✍ Min. breaking loads tension 200 KN
- ✍ All item are approved by major classification societies



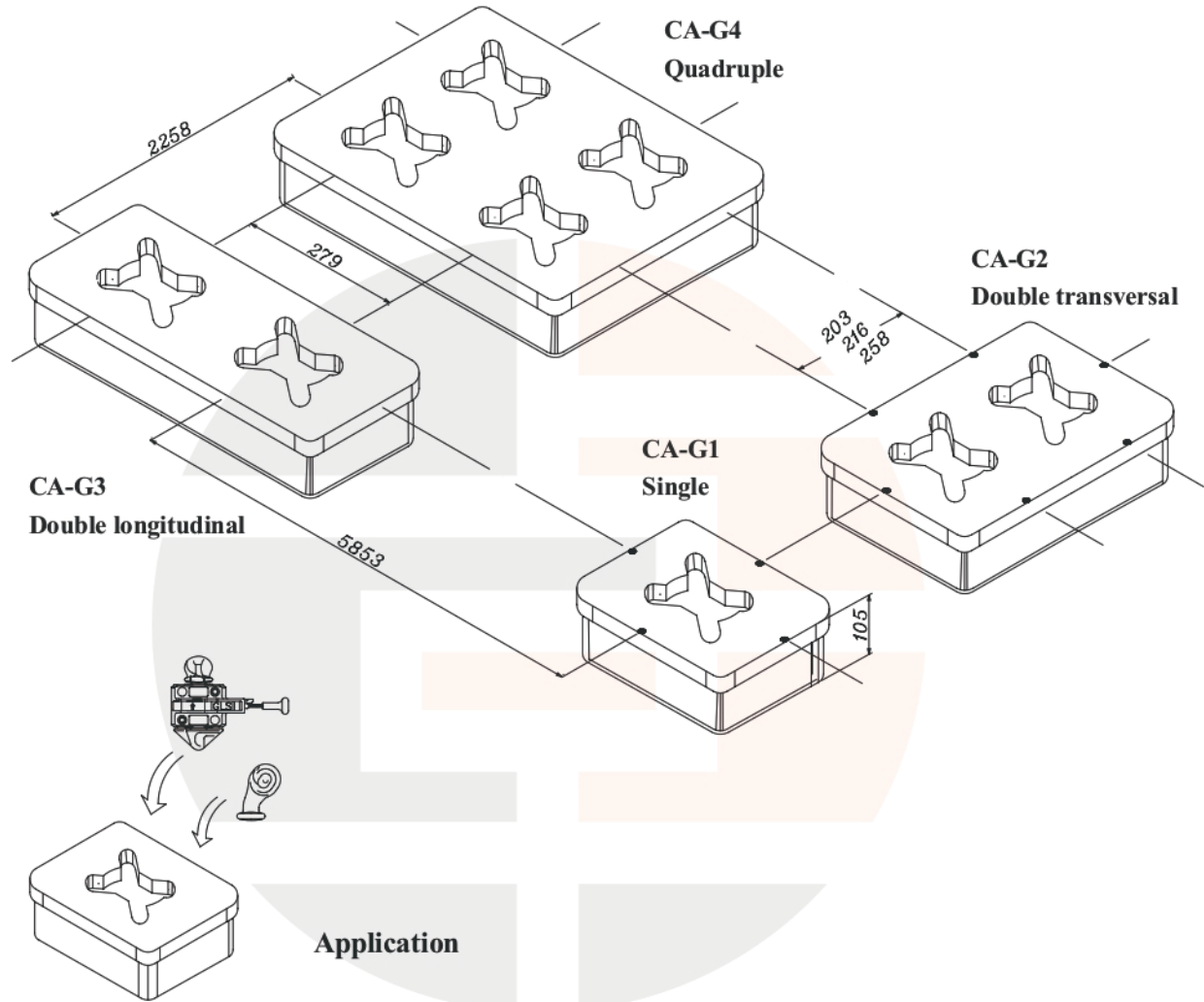
# 卓立琦船务有限公司 CLK Malaysia Sdn Bhd

202201005491 (1451188-V)

Unit No. B0525, Blok B, Jalan Eko Botani 3, Taman Eko Botani, 79100 Iskandar Puteri, Johor Malaysia.

Tel : 07-522 6715 E-mail : sales@clkmalaysia.com Fax : 07 5853715

## FLUSH LASHPOTS



### Specification

- ✍ *Weldable shop primer*
- ✍ *Min. breaking loads tension 500 KN / shear 420 KN*
- ✍ *Standard distances for double foundations 203/216/258*
- ✍ *Other dimensions materials and finishes on request*
- ✍ *All item are approved by major classification societies*



# 卓立琦船务有限公司 CLK Malaysia Sdn Bhd

202201005491 (1451188-V)

Unit No. B0525, Blok B, Jalan Eko Botani 3, Taman Eko Botani, 79100 Iskandar Puteri, Johor Malaysia.

Tel : 07-522 6715 E-mail : sales@clkmalaysia.com Fax : 07 5853715

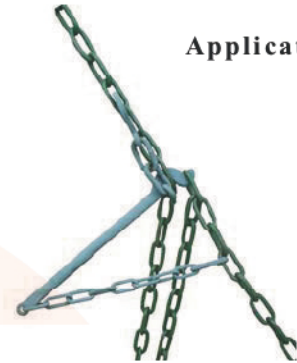
## TENSION LEVERS

## / LASHING CHAINS

### TYPE: CB-B1

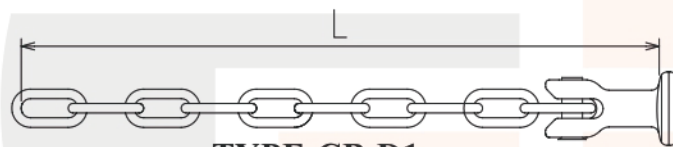


Chains

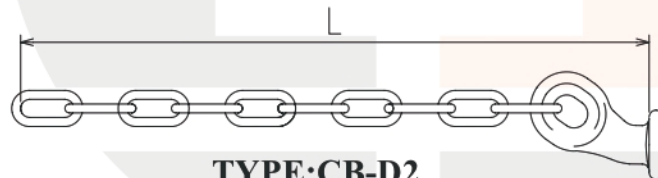


Application

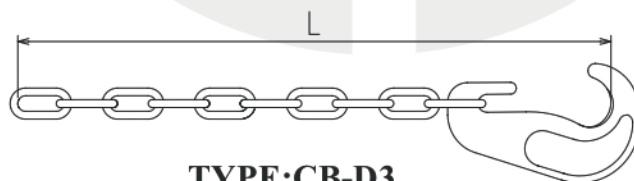
L is according to orders



TYPE:CB-D1



TYPE:CB-D2



TYPE:CB-D3



### Specification

✍ Weldable shop primer

✍ Min. breaking loads tension 200 KN

✍ All item are approved by major classification societies



# 卓立琦船务有限公司 CLK Malaysia Sdn Bhd

202201005491 (1451188-V)

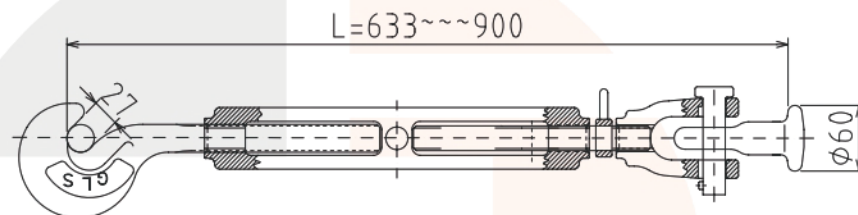
Unit No. B0525, Blok B, Jalan Eko Botani 3, Taman Eko Botani, 79100 Iskandar Puteri, Johor Malaysia.

Tel : 07-522 6715 E-mail : sales@clkmalaysia.com Fax : 07 5853715

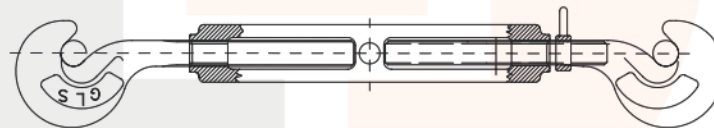
## LASHING TURNBUCKLES



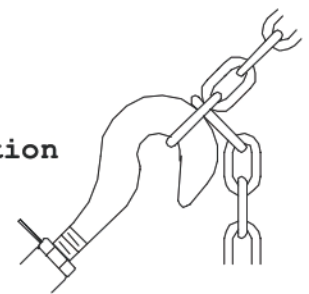
TYPE: CE-A1



Effective distance L=633~900



Application



### Specification

- Hot dip galvanised*
- Min. breaking loads 200 KN*
- All item are approved by major classification societies*



# 卓立琦船务有限公司 CLK Malaysia Sdn Bhd

202201005491 (1451188-V)

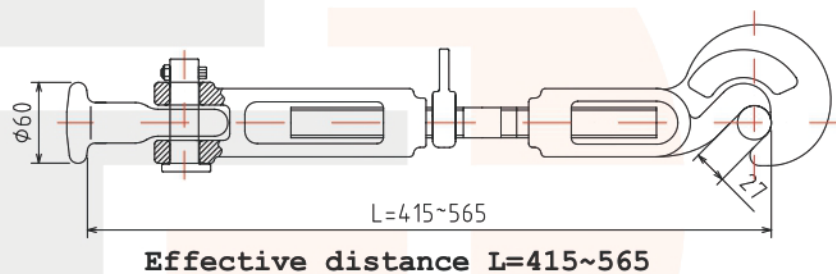
Unit No. B0525, Blok B, Jalan Eko Botani 3, Taman Eko Botani, 79100 Iskandar Puteri, Johor Malaysia.

Tel : 07-522 6715 E-mail : sales@clkmalaysia.com Fax : 07 5853715

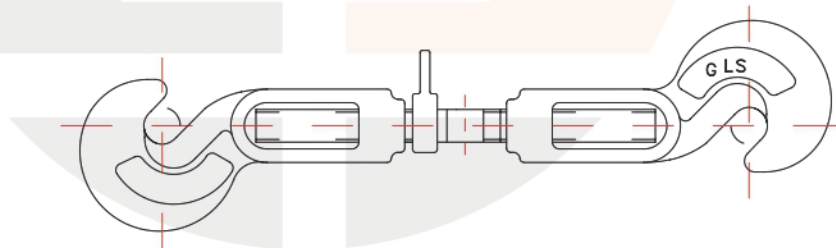
## LASHING TURNBUCKLE



TYPE: CE-B1



Effective distance  $L=415\sim 565$



### Specification

- Hot dip galvanised*
- Min. breaking loads 200 KN*
- All item are approved by major classification societies*



# 卓立琦船务有限公司 CLK Malaysia Sdn Bhd

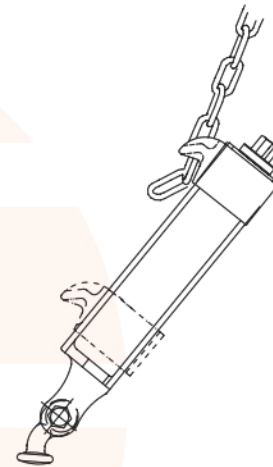
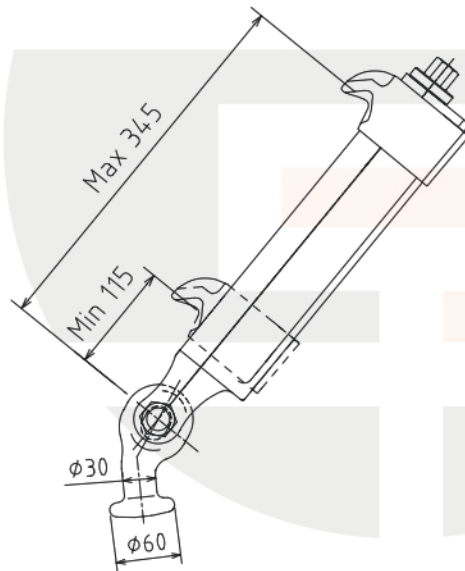
202201005491 (1451188-V)

Unit No. B0525, Blok B, Jalan Eko Botani 3, Taman Eko Botani, 79100 Iskandar Puteri, Johor Malaysia.

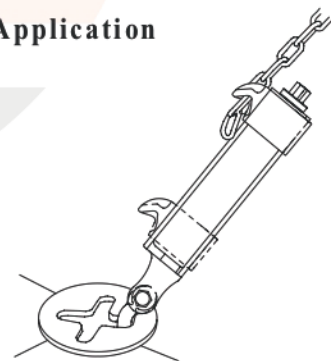
Tel : 07-522 6715 E-mail : sales@clkmalaysia.com Fax : 07 5853715

## SPEED LASH

TYPE: CE-D1



Application



### Specification

- Hot dip galvanised*
- Min. breaking loads 200 KN*
- All item are approved by major classification societies*



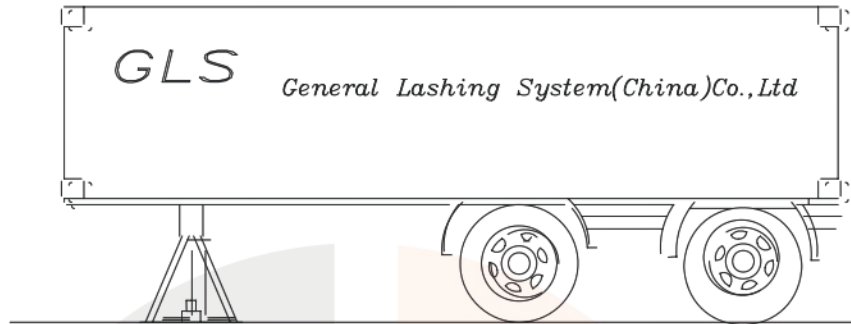
# 卓立琦船务有限公司 CLK Malaysia Sdn Bhd

202201005491 (1451188-V)

Unit No. B0525, Blok B, Jalan Eko Botani 3, Taman Eko Botani, 79100 Iskandar Puteri, Johor Malaysia.

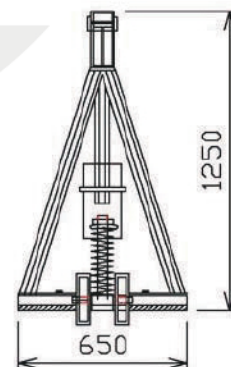
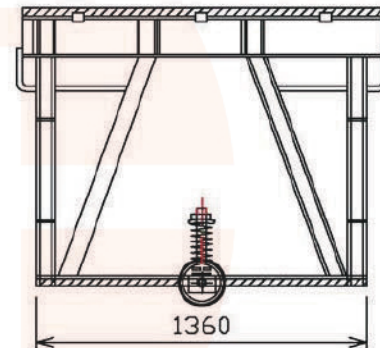
Tel : 07-522 6715 E-mail : sales@clkmalaysia.com Fax : 07 5853715

## TRAILER HORSES



**TYPE: CF-A1**

**Weight 130 kg**



### *Specification*

- ✎ Min breaking loads compression 1000KN*
- ✎ Weight-controlled rolling gear*
- ✎ All item are approved by major classification societies*



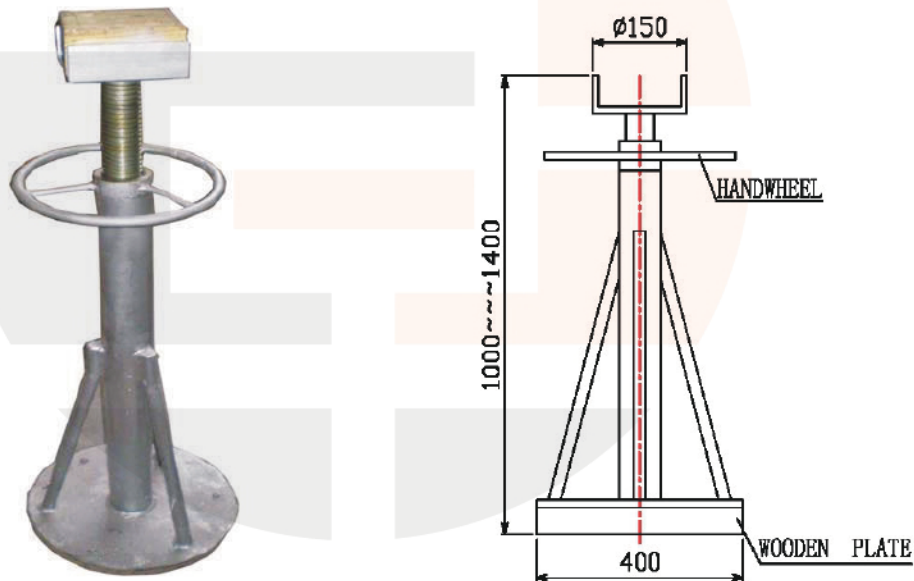
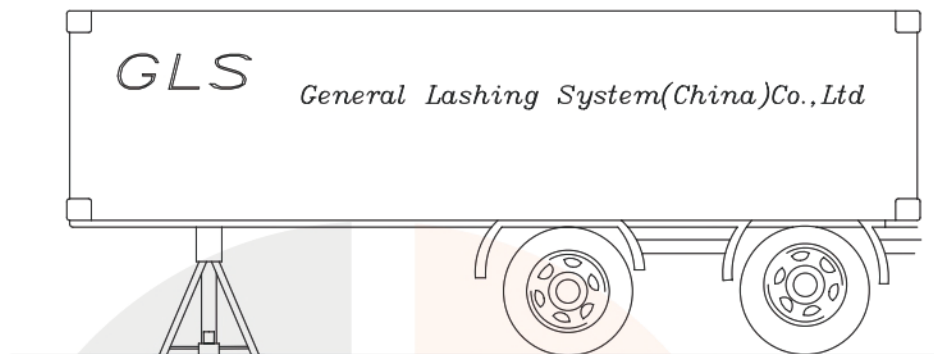
# 卓立琦船务有限公司 CLK Malaysia Sdn Bhd

202201005491 (1451188-V)

Unit No. B0525, Blok B, Jalan Eko Botani 3, Taman Eko Botani, 79100 Iskandar Puteri, Johor Malaysia.

Tel : 07-522 6715 E-mail : sales@clkmalaysia.com Fax : 07 5853715

## TRAILER JACKS



TYPE: CF-B1

### Specification

- ✍ Min breaking loads compression 500KN
- ✍ Weight-controlled rolling gear
- ✍ All item are approved by major classification societies



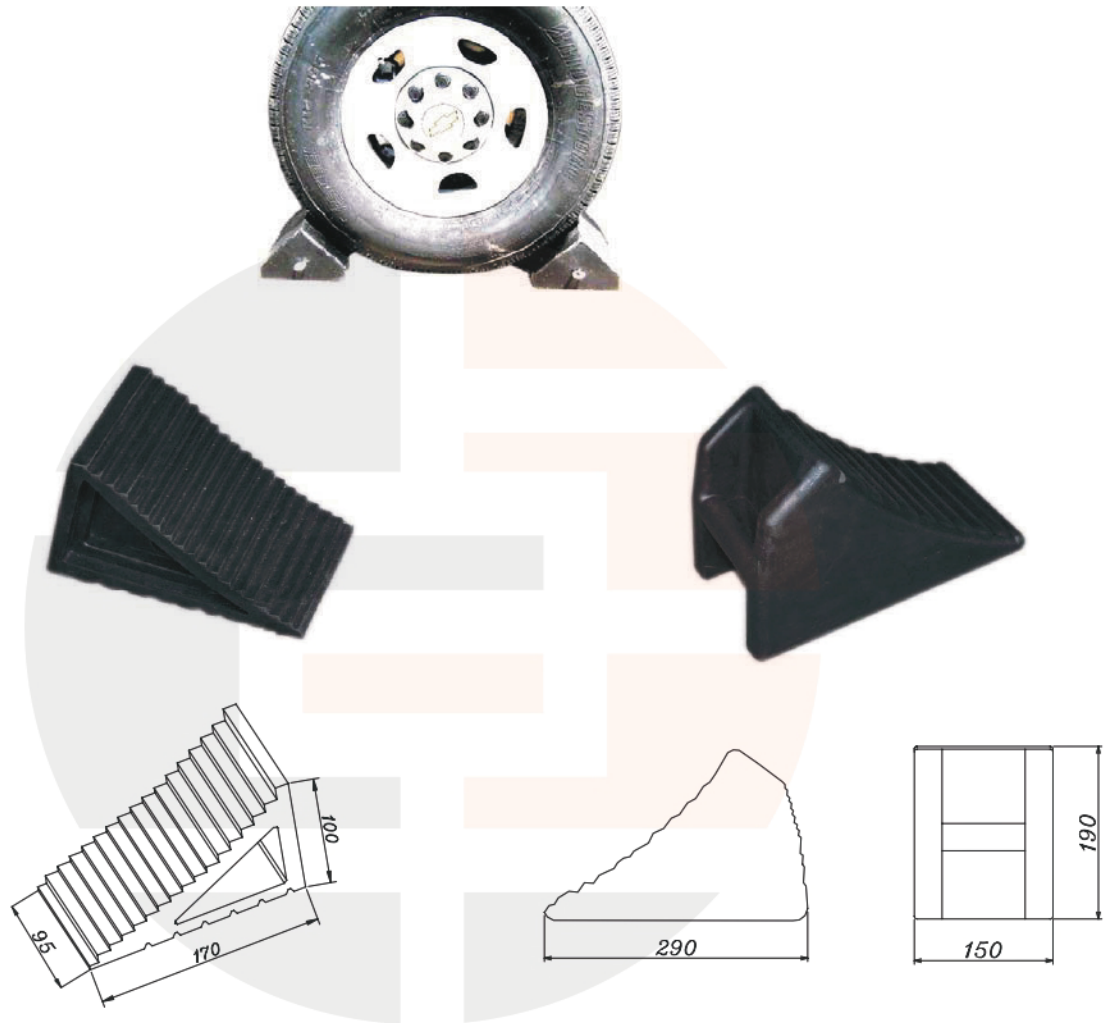
# 卓立琦船务有限公司 CLK Malaysia Sdn Bhd

202201005491 (1451188-V)

Unit No. B0525, Blok B, Jalan Eko Botani 3, Taman Eko Botani, 79100 Iskandar Puteri, Johor Malaysia.

Tel : 07-522 6715 E-mail : sales@clkmalaysia.com Fax : 07 5853715

## WHEEL CHOCKS



**CAR CHOCKS TYPE: CH-A1**

**Weight: 1.2 KG**

**TRAILER CHOCKS TYPE: CH-B1**

**Weight: 5.2 KG**

### ***Specification***

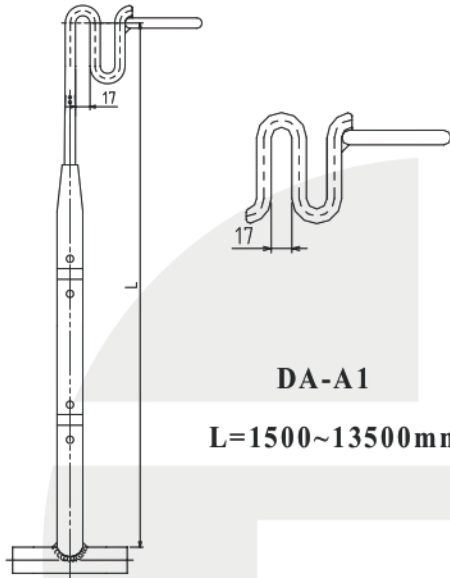
*✎ Made of long life rubber*

*✎ Other dimensions on request*



## Operating rods and tools

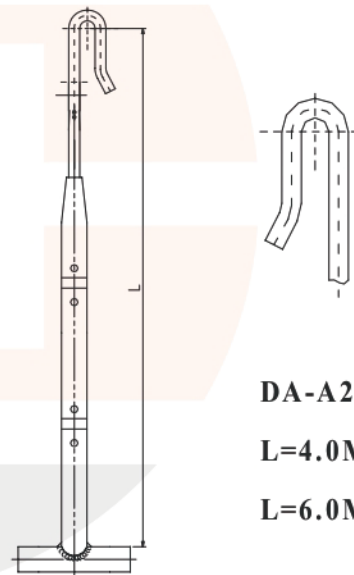
### FOR SEMI-AUTOMATIC TWISTLOCKS



DA-A1

L=1500~13500mm

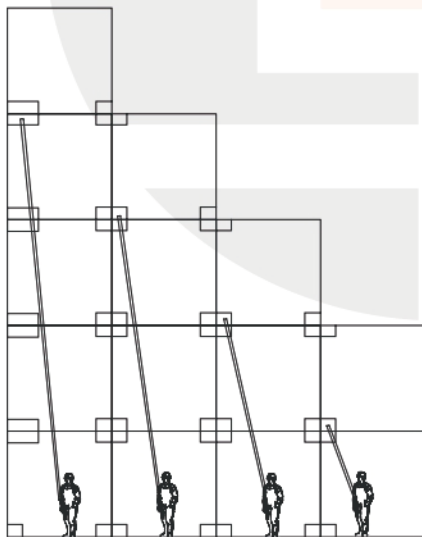
### FOR MANUAL TWISTLOCKS



DA-A2

L=4.0M

L=6.0M



### Specification

*✎ Made of Aluminium*

*✎ Other lengths on request*



# 卓立琦船务有限公司 CLK Malaysia Sdn Bhd

202201005491 (1451188-V)

Unit No. B0525, Blok B, Jalan Eko Botani 3, Taman Eko Botani, 79100 Iskandar Puteri, Johor Malaysia.

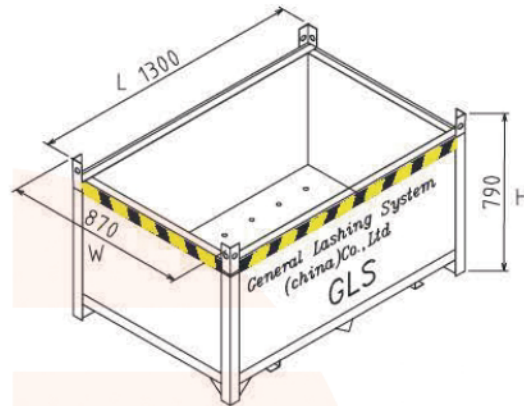
Tel : 07-522 6715 E-mail : sales@clkmalaysia.com Fax : 07 5853715

## STORAGE BIN / FLAT RACKS

### STORAGE BINS

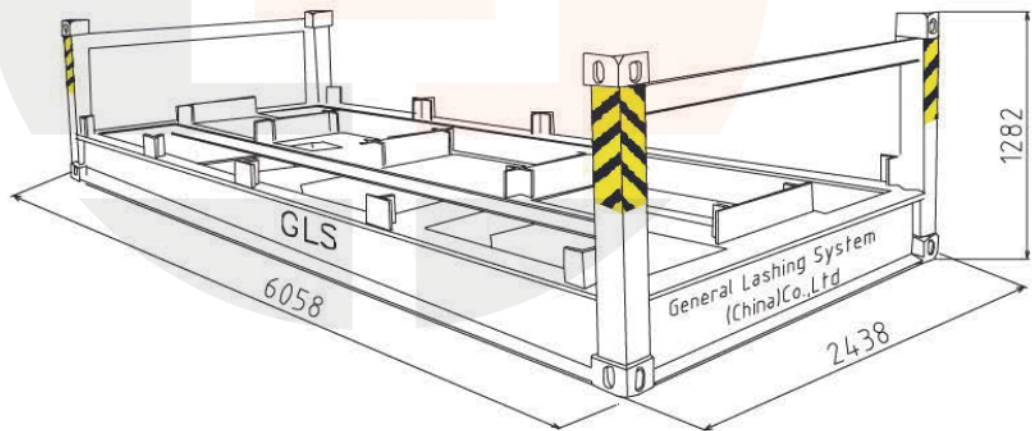
TYPE: DA-B1

BIN L\*W\*H  
Standard dimensions  
1300\*870\*790



### FLAT RACKS

TYPE: DA-C1



### Specification

- ✍ Storage bins with hot dip galvanized / Flat racks with finish paint
- ✍ Main dimensions and strength in accordance with iso-norms
- ✍ Flat racks with CSC certificate
- ✍ Other dimensions and finishes upon request



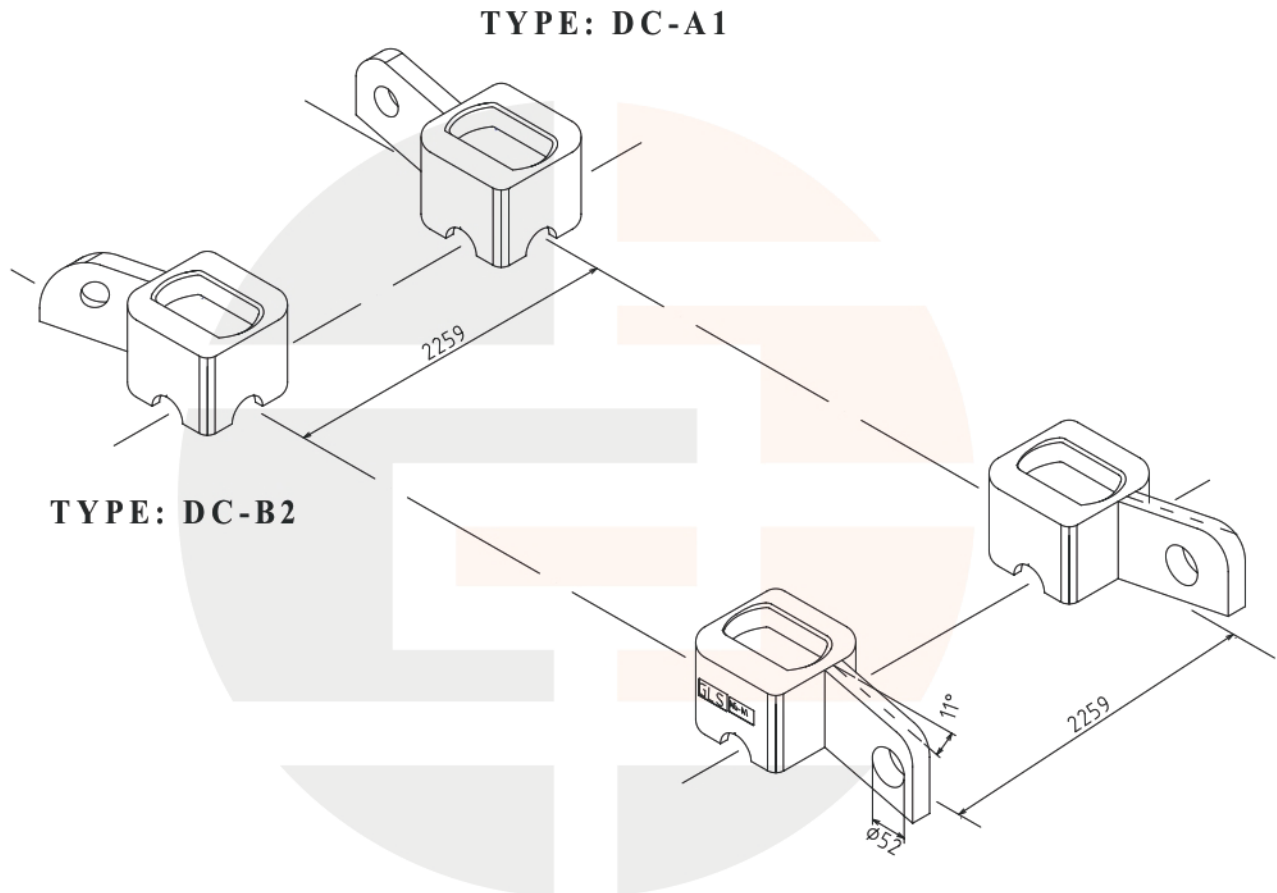
# 卓立琦船务有限公司 CLK Malaysia Sdn Bhd

202201005491 (1451188-V)

Unit No. B0525, Blok B, Jalan Eko Botani 3, Taman Eko Botani, 79100 Iskandar Puteri, Johor Malaysia.

Tel : 07-522 6715 E-mail : sales@clkmalaysia.com Fax : 07 5853715

## LIFTING FOUNDATIONS



### *Specification*

- Weldable shop primer*
- Min breaking loads tension 500KN*
- Other dimensions materials and finishes upon request*



# 卓立琦船务有限公司 CLK Malaysia Sdn Bhd

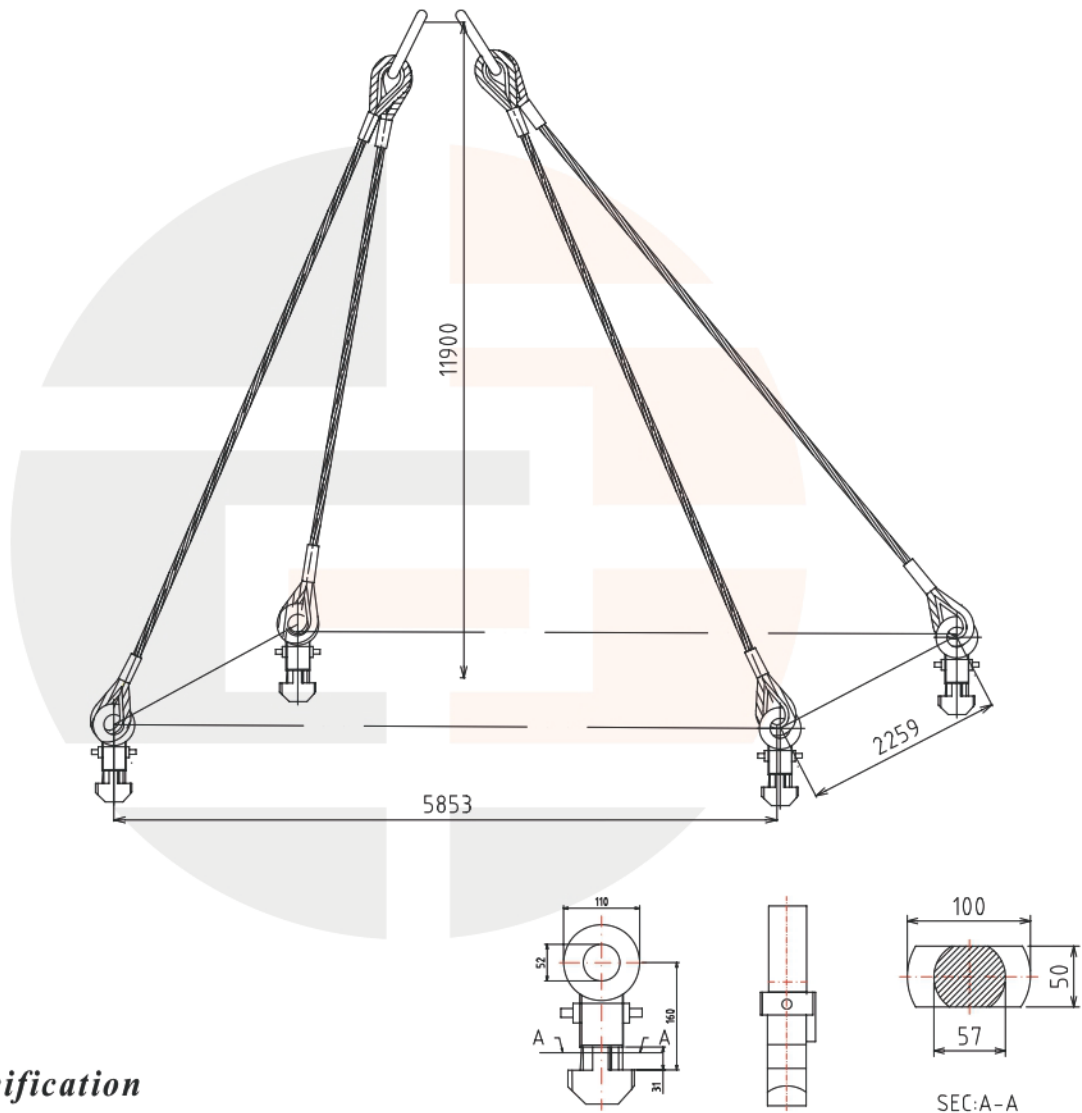
202201005491 (1451188-V)

Unit No. B0525, Blok B, Jalan Eko Botani 3, Taman Eko Botani, 79100 Iskandar Puteri, Johor Malaysia.

Tel : 07-522 6715 E-mail : sales@clkmalaysia.com Fax : 07 5853715

## SPREADER AND LIFTING GEAR

DA-D1



### Specification

- Hot dip galvanized
- Main dimensions and strength in accordance with iso-norms
- All item are approved by major classification societies
- Min breaking load 410 KN



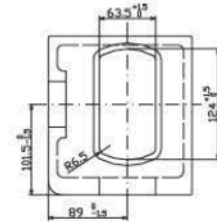
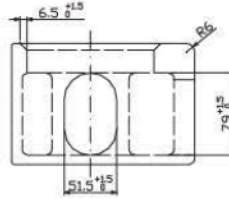
# 卓立琦船务有限公司 CLK Malaysia Sdn Bhd

202201005491 (1451188-V)

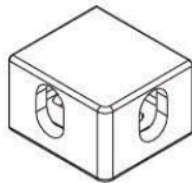
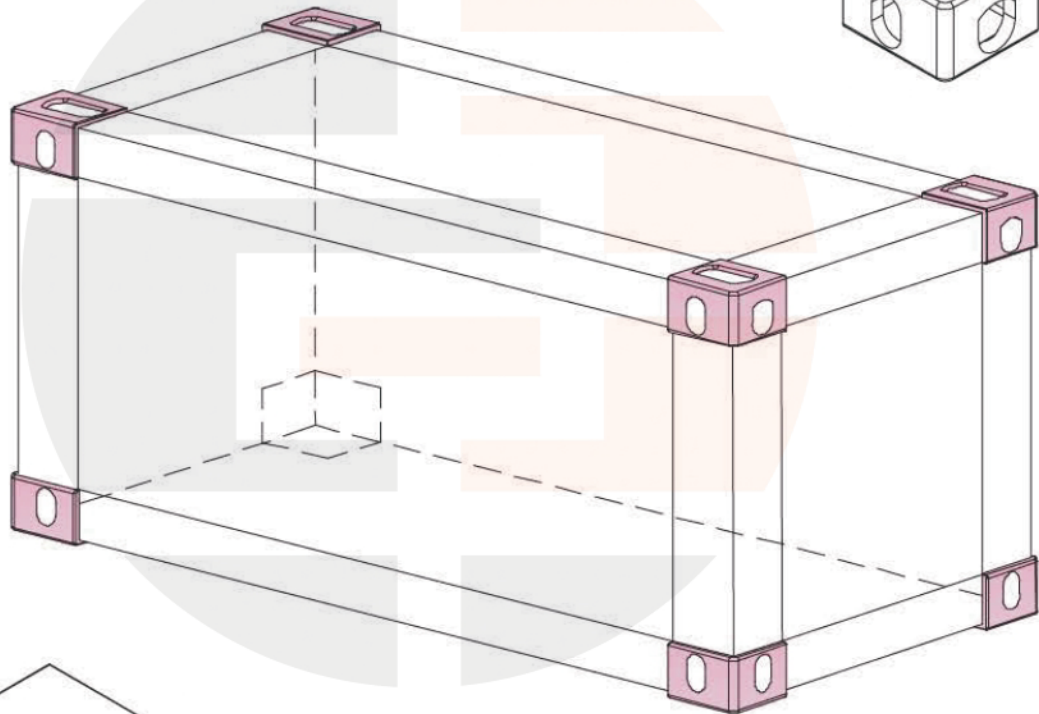
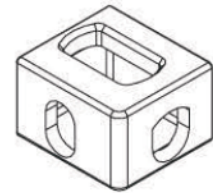
Unit No. B0525, Blok B, Jalan Eko Botani 3, Taman Eko Botani, 79100 Iskandar Puteri, Johor Malaysia.

Tel : 07-522 6715 E-mail : sales@clkmalaysia.com Fax : 07 5853715

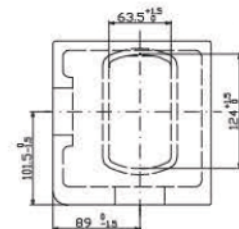
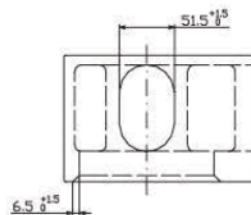
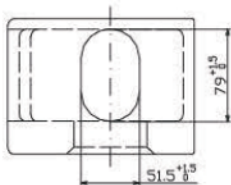
## CONTAINER CORNER



Top corner fitting  
TYPE: DA-E1



Bottom corner fitting  
TYPE: DA-E2





# 卓立琦船务有限公司 CLK Malaysia Sdn Bhd

202201005491 (1451188-V)

Unit No. B0525, Blok B, Jalan Eko Botani 3, Taman Eko Botani, 79100 Iskandar Puteri, Johor Malaysia.

Tel : 07-522 6715 E-mail : sales@clkmalaysia.com Fax : 07 5853715





# 卓立琦船务有限公司 CLK Malaysia Sdn Bhd

202201005491 (1451188-V)

Unit No. B0525, Blok B, Jalan Eko Botani 3, Taman Eko Botani, 79100 Iskandar Puteri, Johor Malaysia.

Tel : 07-522 6715 E-mail : sales@clkmalaysia.com Fax : 07 5853715

---





# 卓立琦船务有限公司 CLK Malaysia Sdn Bhd

202201005491 (1451188-V)

Unit No. B0525, Blok B, Jalan Eko Botani 3, Taman Eko Botani, 79100 Iskandar Puteri, Johor Malaysia.

Tel : 07-522 6715 E-mail : sales@clkmalaysia.com Fax : 07 5853715

